

en	Original Instructions - Cordless drill	6
fr	Notice d'utilisation d'origine - Perceuses-visseuses sans fil	17
es	Manual de instrucciones original - Taladro atornillador de batería	29



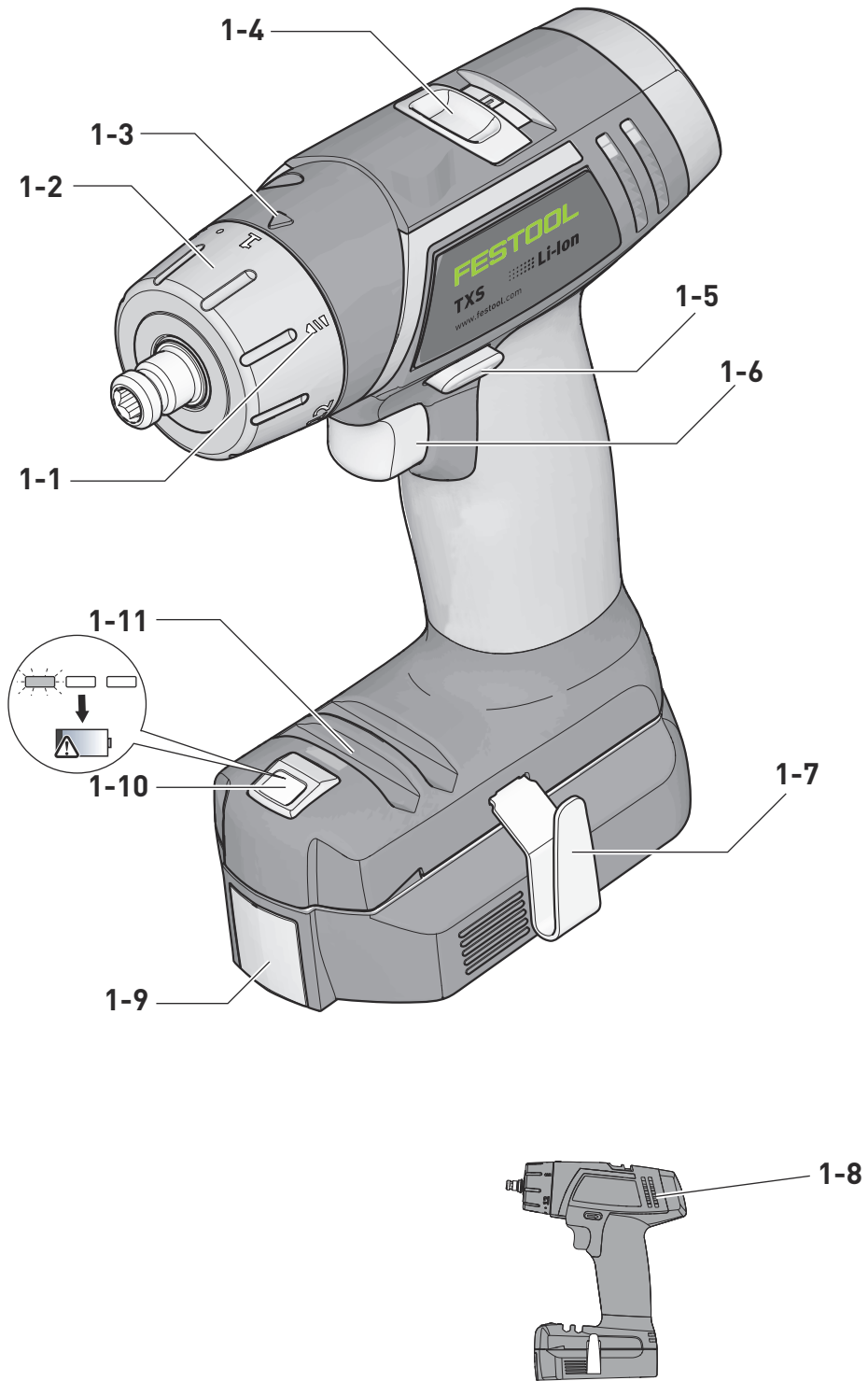
Read all instructions before using
Lire toutes les instructions avant de démarrer les travaux.
Lea y comprende todas las instrucciones antes de usar.



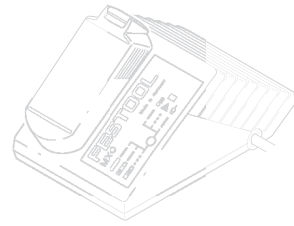
TXS

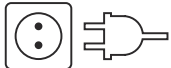








1



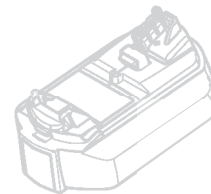
Charger
Chargeur
Cargador

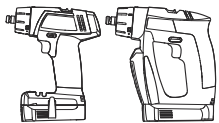






MXC		
	V~	120
	Hz	60
	V=	10.8
	A	2.6
	C	-10° - 40°
		II

			
Lilon 1.5 Ah	min.		~ 23
Lilon 2.6 Ah	min.		~ 45

Battery pack
Batterie
Batería



BP-XS			
		for use with ... pour l'usage avec ... para el uso con ...	CXS, TXS
U	V=		10.8
	Ah		2.6
# 			3
	C		0° - 55°
	kg		0.2




Contents

1	About this manual.....	6
2	Symbols.....	6
3	Safety warnings.....	7
4	Intended use.....	10
5	Technical data.....	10
6	Functional description.....	10
7	Commissioning.....	10
8	Settings.....	12
9	Tool holder, attachments.....	12
10	Working with the power tool.....	14
11	Service and maintenance.....	14
12	Accessories.....	15
13	Environment.....	16
14	Transport.....	16






1 About this manual
















Save these instructions

It is important for you to read and understand this manual. The information it contains relates to protecting **your safety** and **preventing problems**. The symbols below are used to help you recognize this information.

	DANGER	Description of imminent hazard and failure to avoid hazard will result in death.
	WARNING	Description of hazard and possible resulting injuries or death.
	CAUTION	Description of hazard and possible resulting injuries.
	NOTICE	Description of possible damage of the device or its surroundings.

2 Symbols

Symbol	Significance
	Warning of general danger
	Risk of electric shock
	Read operating instructions and safety notices!
	Wear ear protection.
	Wear protective gloves.

Symbol	Significance
	Wear a dust mask.
	Wear protective goggles.
	Tip or advice
	Handling instruction
	diameter
	Max. chuck clamping
	RBRC Seal - Lilon
	Mains voltage (input) and frequency
	Voltage (output)
	Rapid charging max.
	Permitted temperature range
	Safety class II
	Charging times
	Capacity
	Weight
V	volts
A	amperes
Hz	hertz
~ a.c.	alternating current
— d.c.	direct current
n_0	no load speed
rpm	revolutions per minute
min^{-1}	revolutions per minute
°C	degree Celsius
min.	minutes
Ah	amps hour
kg	kilograms
Wh	watt hour

CAUTION PRECAUCIÓN
 For use only with FESTOOL batteries BP-XS. Para uso solamente con las baterías FESTOOL BP-XS.
ATTENTION À utiliser seulement avec les batteries FESTOOL BP-XS.

CAUTION For use only with FESTOOL batteries BP-XS

3 Safety warnings

3.1 General power tool safety warnings



WARNING! Read all safety warnings, instructions, illustrations and specifications provided with this power tool. Failure to follow all instructions listed below may result in electric shock, fire and/or serious injury.

Save all warnings and instructions for future reference.

The term "power tool" in the warnings refers to your mains-operated (corded) power tool or battery-operated (cordless) power tool.

1 WORK AREA SAFETY

- a. **Keep work area clean and well lit.** Cluttered or dark areas invite accidents.
- b. **Do not operate power tools in explosive atmospheres, such as in the presence of flammable liquids, gases or dust.** Power tools create sparks which may ignite the dust or fumes.
- c. **Keep children and bystanders away while operating a power tool.** Distractions can cause you to lose control.

2 ELECTRICAL SAFETY

- a. **Power tool plugs must match the outlet. Never modify the plug in any way. Do not use any adapter plugs with earthed (grounded) power tools.** Unmodified plugs and matching outlets will reduce risk of electric shock.
- b. **Avoid body contact with earthed or grounded surfaces, such as pipes, radiators, ranges and refrigerators.** There is an increased risk of electric shock if your body is earthed or grounded.
- c. **Do not expose power tools to rain or wet conditions.** Water entering a power tool will increase the risk of electric shock.
- d. **Do not abuse the cord. Never use the cord for carrying, pulling or unplugging the power tool. Keep cord away from heat, oil, sharp edges or moving parts.** Damaged or entangled cords increase the risk of electric shock.
- e. **When operating a power tool outdoors, use an extension cord suitable for outdoor use.** Use of a cord suitable for outdoor use reduces the risk of electric shock.
- f. **If operating a power tool in a damp location is unavoidable, use a residual current device (RCD) protected supply.** Use of an RCD reduces the risk of electric shock.

3 PERSONAL SAFETY

- a. **Stay alert, watch what you are doing and use common sense when operating a power tool. Do not use a power tool while you are tired or under the influence of drugs, alcohol or medication.** A moment of inattention while operating power tools may result in serious personal injury.
- b. **Use personal protective equipment. Always wear eye protection.** Protective equipment such as a dust mask, non-skid safety shoes, hard hat or hearing protection used for appropriate conditions will reduce personal injuries.
- c. **Prevent unintentional starting. Ensure the switch is in the off-position before connecting to power source and/or battery pack, picking up or carrying the tool.** Carrying power tools with your finger on the switch or energising power tools that have the switch on invites accidents.
- d. **Remove any adjusting key or wrench before turning the power tool on.** A wrench or a key left attached to a rotating part of the power tool may result in personal injury.
- e. **Do not overreach. Keep proper footing and balance at all times.** This enables better control of the power tool in unexpected situations.
- f. **Dress properly. Do not wear loose clothing or jewellery. Keep your hair and clothing away from moving parts.** Loose clothes, jewellery or long hair can be caught in moving parts.
- g. **If devices are provided for the connection of dust extraction and collection facilities, ensure these are connected and properly used.** Use of dust collection can reduce dust-related hazards.
- h. **Do not let familiarity gained from frequent use of tools allow you to become complacent and ignore tool safety principles.** A careless action can cause severe injury within a fraction of a second.

4 POWER TOOL USE AND CARE

- a. **Do not force the power tool. Use the correct power tool for your application.** The correct power tool will do the job better and safer at the rate for which it was designed.
- b. **Do not use the power tool if the switch does not turn it on and off.** Any power tool that cannot be controlled with the switch is dangerous and must be repaired.

- c. **Disconnect the plug from the power source and/or remove the battery pack, if detachable, from the power tool before making any adjustments, changing accessories, or storing power tools.** Such preventive safety measures reduce the risk of starting the power tool accidentally.
- d. **Store idle power tools out of the reach of children and do not allow persons unfamiliar with the power tool or these instructions to operate the power tool.** Power tools are dangerous in the hands of untrained users.
- e. **Maintain power tools and accessories. Check for misalignment or binding of moving parts, breakage of parts and any other condition that may affect the power tool's operation. If damaged, have the power tool repaired before use.** Many accidents are caused by poorly maintained power tools.
- f. **Keep cutting tools sharp and clean.** Properly maintained cutting tools with sharp cutting edges are less likely to bind and are easier to control.
- g. **Use the power tool, accessories and tool bits etc. in accordance with these instructions, taking into account the working conditions and the work to be performed.** Use of the power tool for operations different from those intended could result in a hazardous situation.
- h. **Keep handles and grasping surfaces dry, clean and free from oil and grease.** Slippery handles and grasping surfaces do not allow for safe handling and control of the tool in unexpected situations.
- d. **Under abusive conditions, liquid may be ejected from the battery; avoid contact. If contact accidentally occurs, flush with water. If liquid contacts eyes, additionally seek medical help.** Liquid ejected from the battery may cause irritation or burns.
- e. **Do not use a battery pack or tool that is damaged or modified.** Damaged or modified batteries may exhibit unpredictable behaviour resulting in fire, explosion or risk of injury.
- f. **Do not expose a battery pack or tool to fire or excessive temperature.** Exposure to fire or temperature above 130 °C (265 °F) may cause explosion.
- g. **Follow all charging instructions and do not charge the battery pack or tool outside the temperature range specified in the instructions.** Charging improperly or at temperatures outside the specified range may damage the battery and increase the risk of fire.

6 SERVICE

- a. **Have your power tool serviced by a qualified repair person using only identical replacement parts.** This will ensure that the safety of the power tool is maintained.
- b. **Never service damaged battery packs.** Service of battery packs should only be performed by the manufacturer or authorized service providers.
- c. **Only use original Festool parts for repair and maintenance.** The use of incompatible accessories or spare parts can result in electric shocks or other injuries.

3.2 Machine-specific safety notices for cordless drills

- **Hold the power tool by insulated gripping surfaces, when performing an operation where the cutting accessory or fasteners may contact hidden wiring.** Cutting accessory contacting a "live" wire may make exposed metal parts of the power tool "live" and could give the operator an electric shock.
- **Use suitable detectors to determine if utility lines are hidden in the work area or call the local utility company for assistance.** Contact with electric lines can lead to fire and electric shock. Damaging a gas line can lead to explosion. Penetrating a water line causes property damage or may cause an electric shock.

5 BATTERY TOOL USE AND CARE

- a. **Recharge only with the charger specified by the manufacturer.** A charger that is suitable for one type of battery pack may create a risk of fire when used with another battery pack.
- b. **Use power tools only with specifically designated battery packs.** Use of any other battery packs may create a risk of injury and fire.
- c. **When battery pack is not in use, keep it away from other metal objects, like paper clips, coins, keys, nails, screws or other small metal objects, that can make a connection from one terminal to another.** Shorting the battery terminals together may cause burns or a fire.



– **Wear suitable personal protective equipment:** ear protection, safety goggles, a dust mask for work which generates dust, and protective gloves when working with raw materials and when changing tools.



CAUTION! Power tool can block and cause sudden kickback! Switch off immediately!

– Do not lock the on/off switch permanently!

Safety instructions when using long drill bits

- **a) Never operate at higher speed than the maximum speed rating of the drill bit.** At higher speeds, the bit is likely to bend if allowed to rotate freely without contacting the workpiece, resulting in personal injury.
- **b) Always start drilling at low speed and with the bit tip in contact with the workpiece.** At higher speeds, the bit is likely to bend if allowed to rotate freely without contacting the workpiece, resulting in personal injury.
- **c) Apply pressure only in direct line with the bit and do not apply excessive pressure.** Bits can bend causing breakage or loss of control, resulting in personal injury.

3.3 Machine-specific safety instructions for battery pack and charger

- This charger can be operated by persons with reduced physical, sensory or mental capabilities or a lack of practical experience and knowledge, provided they are supervised or have been instructed to use the machine safely and understand the dangers of machine operation. **Children** are not allowed use or play with the machine.
- Do not open the battery pack or charger.
- Protect the charger from metal components (e.g. swarf) and liquids.
- **Do not use power adapters or battery packs from other manufacturers to operate the cordless power tool. Do not use any charger from other manufacturers for charging the battery pack.** The use of impermissible accessories may result in electric shock and / or serious accidents!
- Protect the battery pack from heat > 50 °C or constant heat sources such as sunlight or naked flames.
- Never use water to extinguish burning Li-ion battery packs; always use sand or a fire blanket.

- Check the plug and the cable regularly in order to prevent a hazard. In the event of damage, these must be replaced by an authorised service workshop only.
- Always pull the mains plug out of the socket when the charger is not in use.

3.4 Festool charger

NOTE: this equipment has been tested and found to comply with the limits for a Class 8 digital device, pursuant to Part 15 of the FCC Rules. These limits are designed to provide reasonable protection against harmful interference in a residential installation. This equipment generates, uses and can radiate radio frequency energy and, if not installed and used in accordance with the instructions, may cause harmful interference to radio communications. However, there is no guarantee that interference will not occur in a particular installation. If this equipment does cause harmful interference to radio or television reception, which can be determined by turning the equipment off and on, the user is encouraged to try to correct the interference by one or more of the following measures:

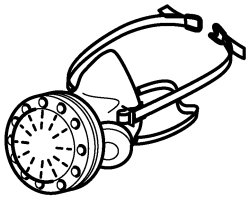
- Reorient or relocate the receiving antenna.
- Increase the separation between the equipment and receiver.
- Connect the equipment into an outlet on a circuit different from that to which the receiver is connected.
- Consult the dealer or an experienced radio/TV technician for help.

3.5 Health hazard by dust



WARNING! various dust created by power sanding, sawing, grinding, drilling and other construction activities contains chemicals known (to the State of California) to cause cancer, birth defects or other reproductive harm. Some examples of these chemicals are:

- lead from lead-based paints,
- crystalline silica from bricks and cement and other masonry products, and
- arsenic and chromium from chemically treated lumber.



The risk from these exposures varies, depending on how often you do this type of work. To reduce your exposure to these chemicals: work in a well ventilated

area, and work with approved safety equipment, such as dust masks that are specially designed to filter out microscopic particles. Wash hands after handling.



WARNING

TO REDUCE THE RISK OF INJURY, USER MUST READ INSTRUCTION MANUAL.

4 Intended use

Cordless drill suitable

- for screwing in and tightening screws,
- for drilling in metal, wood, plastics and similar materials.

Not intended for clamping tools other than drills and drill bits, e.g. compass saws, stirring rods, metal brushes.

Charger MXC suitable

- for charging the listed battery packs.
- only for indoor use.



The user is liable for improper or non-intended use; this also includes continuous industrial operation.

5 Technical data

Cordless drill	TXS
Motor voltage	10.8 V
No-load speed*	
1st gear	0–430 rpm
2nd gear	0–1300 rpm
Max. torque soft/hard screwdriving application	10/16 Nm
Adjustable torque	0.3–3.4 Nm
Chuck clamping range	1/16" - 3/8" 1–10 mm
Max. drill diameter Wood/metal	1/2" / 5/16" 12/8 mm
Tool holder in drill spindle	1/4"

Cordless drill	TXS
Weight (incl. battery pack and chuck) as per EPTA procedure 01:2014	2.4 lbs (1.1 kg)
Weight incl. battery pack and Centrotec	2 lbs (0.9 kg)

* Speed values based on fully charged battery pack.



More technical data about the charger and the supplied battery pack can be found on page .

6 Functional description

The pictures for the functional description are on a fold-out page at the beginning of the instruction manual. While reading the manual you can fold out the page for comparison and quick reference.

- [1-1]** Drilling symbol
- [1-2]** Torque thumbwheel
- [1-3]** Torque/drilling position marking
- [1-4]** Gear switch
- [1-5]** Right/left switch
- [1-6]** On/Off switch
- [1-7]** Belt clip
- [1-8]** Insulated gripping surfaces (grey shaded area)
- [1-9]** Button for releasing the battery pack
- [1-10]** LED lamp with capacity indicator
- [1-11]** Bit store

7 Commissioning

7.1 Changing the battery pack [2]



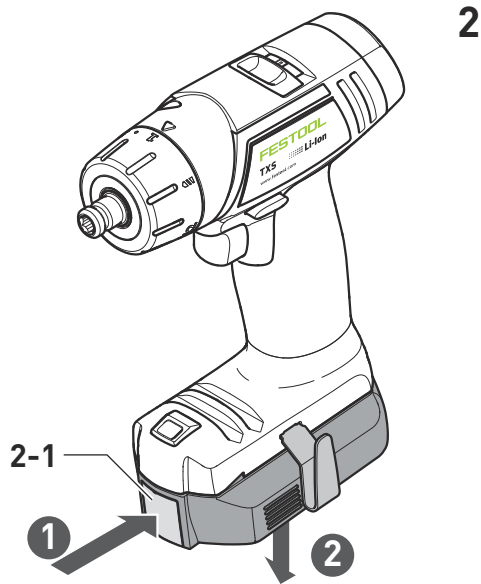
Battery pack is ready for use immediately upon delivery and can be charged at any time.

Removing the battery pack

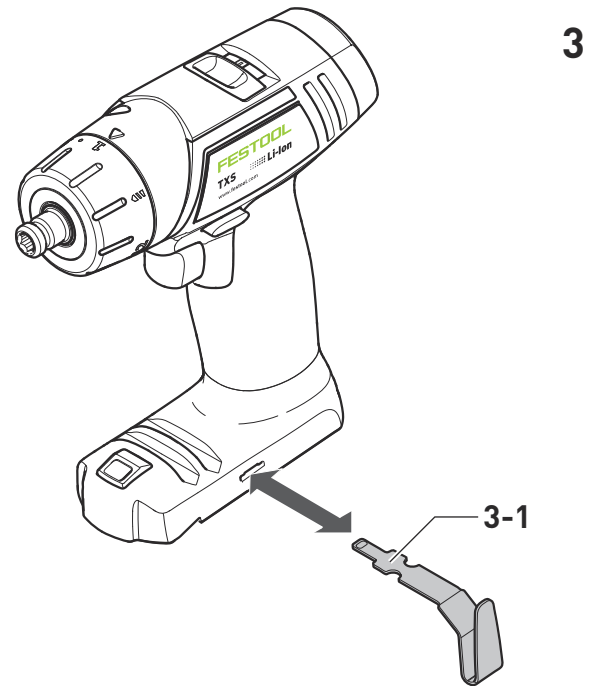
- ▶ Press and hold the button **[2-1]**.
- ▶ Slide the battery pack downwards to remove.

Inserting the battery pack

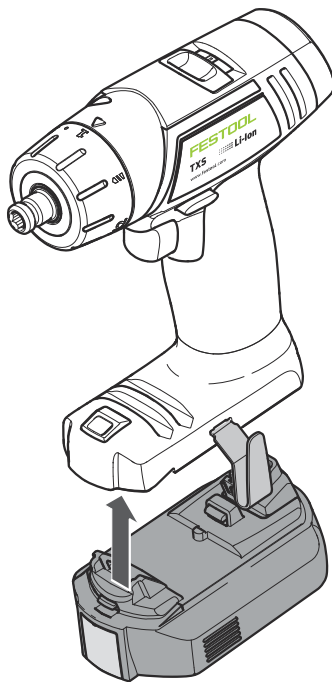
- ▶ Slide the battery pack upwards into the machine like shown in **[2]** until it engages.



2



3



7.2 Changing side of the belt clip

Fix the belt clip [3-1] on the right or on the left side, depending on which side you prefer to clip the cordless drill.

- ▶ Remove the battery pack [2].
- ▶ Remove the belt clip [3-1].
- ▶ Insert the belt clip on the designated side.
- ▶ Insert the battery pack [2].

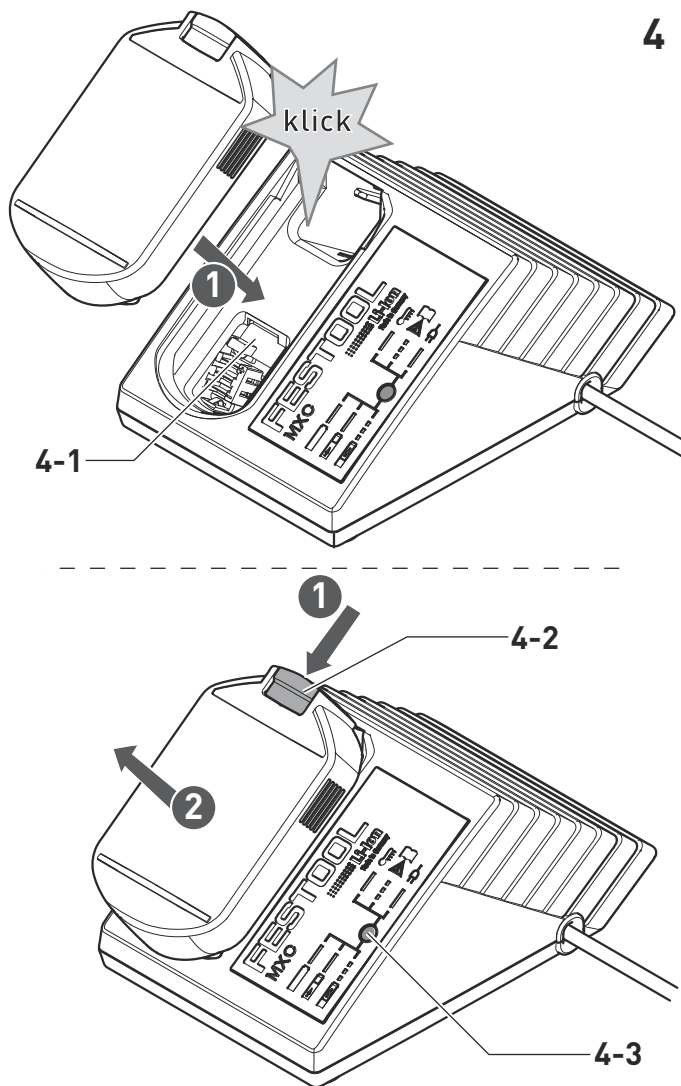
7.3 Charging the battery pack [5]

- ▶ To charge the battery pack, put it on the re- tainer [4-1] on the charger.
- ▶ To remove, press and hold the button [4-2] and pull off the charged battery pack.

The LED [4-3] on the charger indicates the re- spective operating status of the charger.

	LED yellow - lit continuously Charger is ready to use.
	LED green - flashing quickly Charging battery pack at maximum rate.
	LED green - flashing slowly Charging battery pack to 80% and with reduced current.
	LED green - lit continuously Charging process is charged.
	LED red - flashing General fault indicator, e.g. incomplete contact, short circuit, defective battery pack, etc.
	LED red - lit continuously Battery temperature is out- side permissible limit values (0 °C to 55 °C).

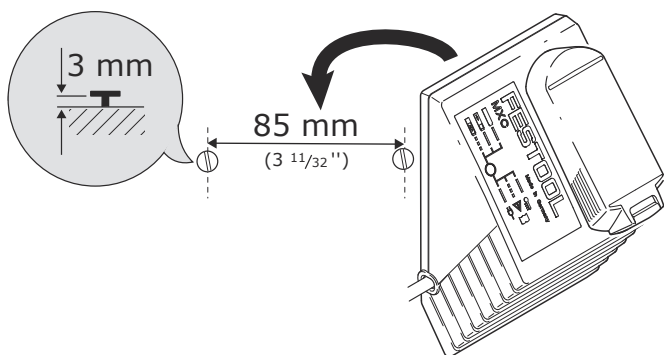
4



7.4 Charger wall mount

The charger MXC has two elongated holes on its back. It can be mounted on a wall using two screws (e.g. round head or flat head screw with shank diameter of 5 mm) (see Fig. [5]).

5



8 Settings

Consider the pictures on the fold-out page.



CAUTION

Risk of injury

- ▶ Always switch off the power tool before adjusting settings!

8.1 Changing direction of rotation [1-5]

- Switch to the left = clockwise rotation
- Switch to the right = counterclockwise rotation

8.2 Changing gear [1-4]

- Gear switch forwards (digit 1 visible) = 1st gear
- Gear switch to rear (digit 2 visible) = 2nd gear

8.3 Adjusting torque

By turning the torque thumbwheel [1-2] the required torque can be adjusted. The arrow [1-3] aligns with the adjusted state.

Drilling

Turn the torque thumbwheel [1-2] so that its marking [1-3] faces the drilling symbol [1-1]. Maximum torque is set in this position.

Fastening

Adjust the torque accordingly at the torque thumbwheel [1-2]:

Position 1 = low torque

Position 12 = high torque

The machine switches off when the present torque is reached. The machine only continues running when the on/off switch [1-6] is released and pressed again.

9 Tool holder, attachments



WARNING

Risk of injury

- ▶ Always disconnect the battery pack before performing any type of work on the machine!



CAUTION

Hot and sharp tools

Risk of injury

- ▶ Do not use insert tools that are blunt or defective.
- ▶ Wear protective gloves.

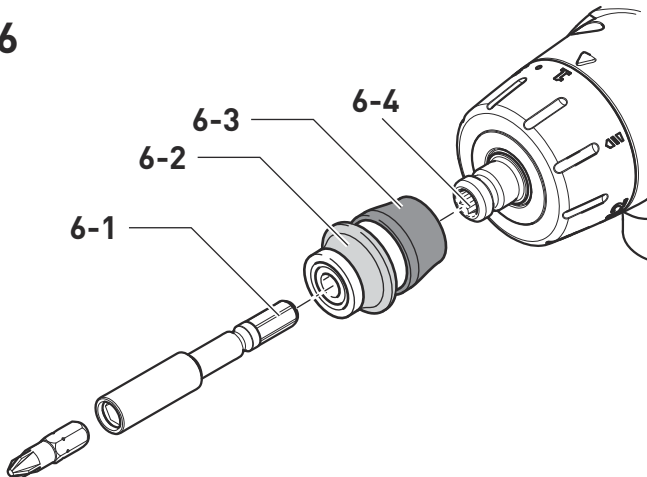
9.1 Tool chuck CENTROTEC WH-CE

The tool chuck CENTROTEC WH-CE allows you to change tools with a CENTROTEC shank in a matter of seconds.

- i** Always use a CENTROTEC tool chuck to clamp CENTROTEC tools.

Attaching the CENTROTEC

6



- ▶ Pull the release ring [6-3] forwards.
- ▶ Attach the tool chuck to the drill spindle [6-4].
- ▶ Release the ring [6-3].

Detaching the CENTROTEC

- ▶ Pull the release ring [6-3] forwards.
- ▶ Remove the tool chuck.

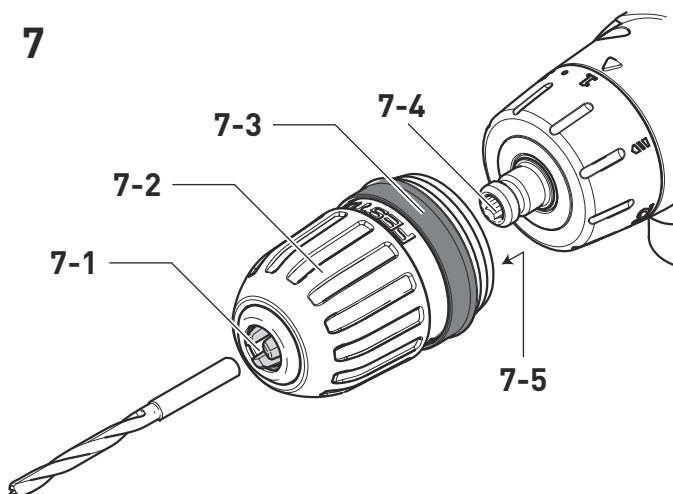
Changing tools

- ▶ Pull back the green release ring [6-2] to attach or detach tools with a CENTROTEC shank.
- ▶ When attaching the tool, rotate until the hexagon shank [6-1] engages in the hexagon holder on the drill spindle.
- ▶ Release the ring [6-2].

9.2 Chuck BF-FX 10

The chuck BF-FX 10 is used for clamping drill and screwdriver bits up to 10 mm chuck diameter.

7



Attaching the chuck BF-FX 10

- ▶ Attach the chuck to the drill spindle [7-4].

- ▶ Pull the release ring [7-3] forwards.
- ▶ Turn until the hexagon pin [7-5] on the chuck engages in the hexagon socket holder in the drill spindle.
- ▶ Push the chuck all the way onto the drill spindle.
- ▶ Release the ring [7-3].

Detaching the chuck BF-FX 10

- ▶ Pull the release ring [7-3] forwards.
- ▶ Remove the chuck.

Changing tools

- ▶ Turn the clamping sleeve [7-2] anticlockwise to open the clamping jaws [7-1].

- i** The arrow on the spindle indicates the opening direction.

- ▶ Insert the tool into the chuck.



CAUTION

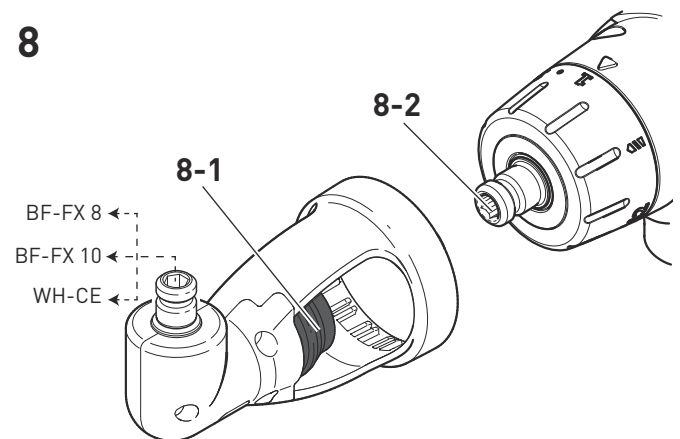
Risk of injury

- ▶ Clamp the tool centrally in the chuck!
- ▶ Turn the clamping sleeve [7-2] clockwise to clamp the tool.

9.3 Right angle chuck XS-AS

The right angle chuck XS-AS (partly accessories) allows you to work (drill, fasten) vertically in relation to the longitudinal axis on the machine.

8



Fitting the right angle chuck XS-AS

- ▶ Pull the green release ring [8-1] forwards.
- ▶ Fit the right angle chuck to the drill spindle [8-2].
- ▶ Turn the chuck until it engages in the required position.



You can engage the right angle chuck in 16 different positions.

- ▶ Release the ring [8-1].

Removing the right angle chuck XS-AS

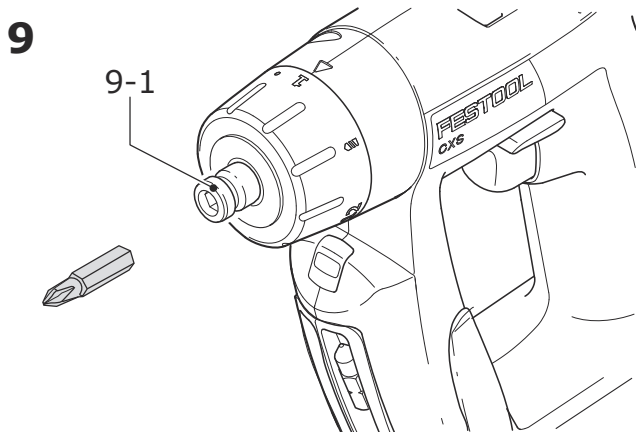
- ▶ Pull the green release ring [8-1] forwards.
- ▶ Remove the right angle chuck.

Changing tools

The tools can be fixed on the right angle chuck via CENTROTEC tool chuck, the chuck BP-XS 8 or BP-XS 10 or directly into the drill spindle.

9.4 Tool holder in the drill spindle

Bits can be inserted directly in the hexagon socket holder on the drill spindle [9-1] to shorten and reduce the weight of the machine.



10 Working with the power tool

Consider the pictures on the fold-out page.



WARNING

Risk of injury

- ▶ Always secure the workpiece in such a manner that it cannot move while being machined.

10.1 On/Off switch [1-6]

Press = ON, release = OFF

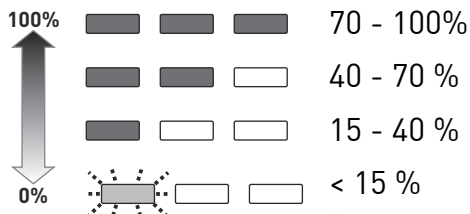


The speed of the machine depends on how far the on/off switch is pressed in.

10.2 LED lamp with capacity indicator

The LED bulb [1-10] lights up when the ON/OFF switch is pressed [1-6].

After releasing the ON/OFF switch [1-6] the capacity indicator on the LED lamp [1-10] displays the state of charge of the battery pack for a few seconds:



Recommendation:

Charge battery pack before further use.

10.3 Bit depot [1-11]

Magnetic, for storing bits and bit holders.

10.4 Warning signals

Power tool shuts down, capacity indicator flashes: Battery pack is empty.

- ▶ Change the battery pack.

Power tool shuts down, capacity indicator does not flash: Power tool is overheating or has been overloaded.

- ▶ Apply a lesser load to power tool.
- ▶ Allow power tool to cool down.

11 Service and maintenance



WARNING

Risk of injury, electric shock

- ▶ Always disconnect the battery pack from the machine before any cleaning or maintenance!



WARNING

Any maintenance or repair work that requires opening of the motor or gear housing should only be carried out by an authorised Customer Service Centre (name supplied by your dealer)!

- ▶ Maintenance or repair work carried out by an unauthorised person can lead to the wrong connection of the power cord or other components, which in turn can lead to accidents with serious consequences.



CAUTION

Certain cleaning agents and solvents are harmful to plastic parts.

- ▶ Some of these include, but are not limited to: Gasoline, Acetone, Methyl Ethyl Ketone (MEK), Carbonyl Chloride, cleaning solutions containing Chlorine, Ammonia, and household cleaners containing Ammonia.



Customer service and repairs must only be carried out by the manufacturer or service workshops. Find the nearest address at: www.festoolusa.com/service



Always use original Festool spare parts. Order no. at: www.festoolusa.com/service

Note the following information

- Keep the ventilation slits on the machine free and clean to ensure adequate cooling.
- Keep the contacts on the machine, charger and battery pack clean.

Information on battery packs

- Store in a cool, dry place at a temperature between 5 °C and 25 °C.
- Protect battery packs from moisture, water and heat.
- Do not leave empty battery packs in a charger disconnected from the mains power supply for longer than one month. Danger of deep discharge!
- If you intend to store li-ion battery packs for longer periods without use, you should charge them to 40 % capacity (approx. 15 min charging time).
- To avoid short circuits the battery pack should be stored in the packaging supplied.

Check all warnings on the electric power tool for readability and completeness. Replace missing or illegible warnings.

12 Accessories

Use only original Festool accessories and Festool consumable material intended for this machine. These components are designed specifically for this machine. Using accessories and consumable material from other suppliers will most likely affect the quality of your results and limit warranty claims. Machine wear or your own personal workload may increase depending on the application. Protect yourself and your machine, and preserve your warranty claims by always using original Festool accessories and Festool consumable material!

The order numbers of the accessories and tools can be found in the Festool catalogue or on the Internet under "www.festoolusa.com".

12.1 SYSTAINER

Systainer

Many Festool products are shipped in a unique system container, called "Systainer". This provides protection and storage for the tool and accessories. The Systainers are stackable and can be interlocked together. They also can be interlocked atop Festool CT dust extractors.

To open the Systainer



Turn the T-loc **[SYS-b-1]** to this position.

To lock the Systainer



Turn the T-loc **[SYS-b-1]** to this position.

To connect two Systainers

Place one Systainer on the top of the other (Fig. **[SYS-a]**).

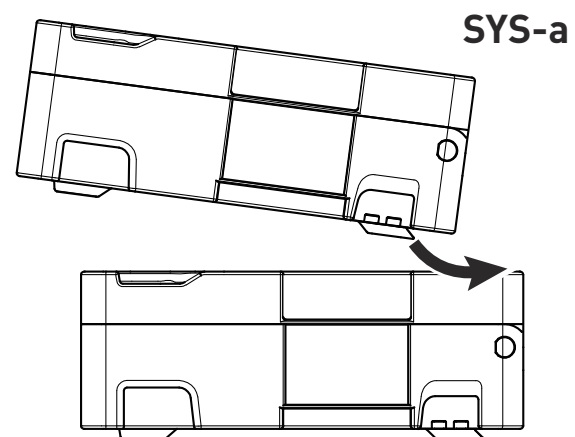


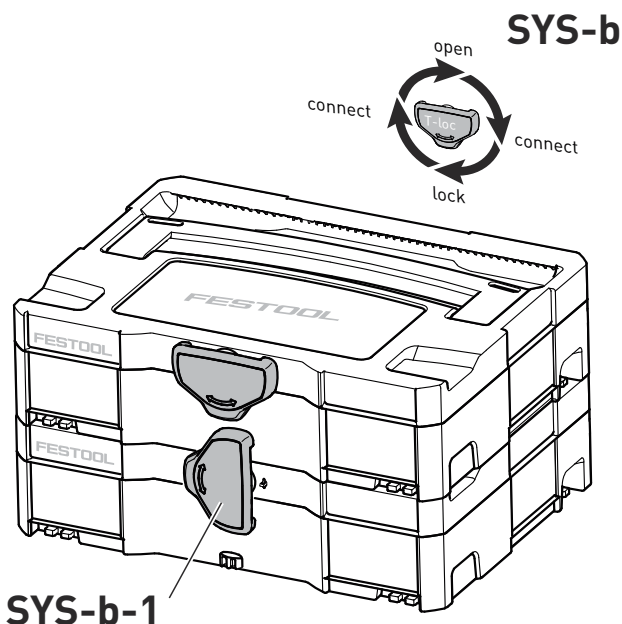
Turn the T-loc **[SYS-b-1]** to one of this positions (Fig. **[SYS-b]**).

The Systainers are connected and locked.



A new generation Systainer is connectable on top of a previous generation Systainer by the four latches of the previous Systainer.





13 Environment

Do not dispose of the device together with domestic waste! Dispose of machines, accessories and packaging at an environmentally responsible recycling centre. Observe the valid national regulations.

Battery Disposal



WARNING

Risk of fire or injury

- ▶ Do not attempt to disassemble the battery or remove any component projecting from the battery terminals.
- ▶ Prior to disposal, protect exposed terminals with heavy insulating tape to prevent shorting.



The RBRC™ (Rechargeable Battery Recycling Corporation) Seal on nickel cadmium (NiCd), nickel metal hydride (NiMH) or lithium-ion (Lilon) batteries (or battery packs) indicates Festool is voluntarily participating in an industry program to collect and recycle these batteries at the end of their useful life, when taken out of service in the United States or Canada. In some areas, it is illegal to place spent batteries in the trash or municipal solid waste stream and RBRC Program provides an environmentally conscious alternative.

Please call 1-800-822-8837 for information on battery recycling and disposal bans/restrictions in your area, or return your batteries to the Festool Service Center for recycling. Help pro-

tect our environment and conserve natural resources!

14 Transport

The Li-ion battery packs included are subject to the requirements of the legislation on hazardous goods. The user must familiarise themselves with the local regulations prior to transport. Special requirements apply to shipping via third parties (e.g. air transport or haulage) and these must be observed. When preparing the item to be sent, a dangerous goods expert must be consulted. Only return the battery pack if it is undamaged. Observe local regulations when shipping. Observe any further national regulations.

Sommaire

1	À propos de ce manuel.....	17
2	Symboles.....	17
3	Consignes de sécurité.....	18
4	Utilisation en conformité avec les instructions.....	22
5	Caractéristiques techniques.....	22
6	Description fonctionnelle.....	22
7	Mise en service.....	22
8	Réglages.....	24
9	Porte-outil, embouts.....	24
10	Travail avec l'outil électroportatif.....	26
11	Entretien et maintenance.....	27
12	Accessoires.....	27
13	Environnement.....	28
14	Transport.....	28

1 À propos de ce manuel

Conservez ces instructions

Il est important pour vous de lire et de comprendre ce manuel. Les informations qu'il contient, se rapporte à la protection **de votre sécurité** et **de prévention des problèmes**. Les symboles suivants sont utilisés pour vous aider à reconnaître cette information.



DANGER

Description du risque imminent et l'incapacité à éviter tout risque qui peut entraîner la mort.



AVERTISSEMENT

Description des dangers possibles et des blessures qui en résultent ou la mort.



ATTENTION

Description des dangers et des éventuelles blessures qui en résultent.

AVIS

Description des dommages potentiels sur l'appareil ou dans son environnement.

2 Symboles

Symbole Signification



Avertissement de danger



Avertissement contre le risque d'électrocution



Notice d'utilisation, lire les consignes de sécurité !



Porter une protection auditive !



Porter des gants de protection !



Porter une protection respiratoire !



Porter des lunettes de protection !



Insérer la batterie.



Dégager la batterie.



Astuce, information



Consignes opératoires



Diamètre



Max. mandrin de perçage



RBRC Sceau - Lilon



Tension d'entrée et fréquence



Tension de sortie



Chargement rapide max.



Plage de températures admissible



Classe de protection II



Temps de charge



Capacité



Nombre de cellules



Poids

V	Volt
A	Ampère
Hz	Hertz
~ a.c.	Tension alternative
— d.c.	Tension continu
n_0	Vitesse de rotation à vide
rpm min ⁻¹	tours ou course par minute
°C	centigrade
min.	minutes
Ah	heure d'ampère
kg	kilogramme
Wh	wattheure


CAUTION PRECAUCIÓN
For use only with FESTOOL batteries BP-XS.
Para uso solamente con las baterías FESTOOL BP-XS.

ATTENTION À utiliser seulement avec les batteries FESTOOL BP-XS.

ATTENTION À utiliser seulement avec les batteries FESTOOL BP-XS.

3 Consignes de sécurité

3.1 Consignes générales de sécurité pour outils électroportatifs

 **AVERTISSEMENT !** Veuillez lire toutes les consignes de sécurité, instructions, illustrations et caractéristiques techniques qui accompagnent le présent outil électroportatif.

Des négligences relatives aux instructions suivantes peuvent occasionner un choc électrique, un incendie et/ou des blessures graves.

Conserver l'ensemble des consignes de sécurité et des instructions afin de pouvoir les consulter ultérieurement.

Le terme « outil électroportatif » utilisé dans les consignes de sécurité se rapporte aux outils électroportatifs fonctionnant sur secteur (avec câble) et aux outils électroportatifs fonctionnant sur batterie (sans câble).

1 SÉCURITÉ DU POSTE DE TRAVAIL

- Veillez à ce que la zone de travail soit propre et bien éclairée.** Un poste de travail en désordre ou mal éclairé peut entraîner des accidents.
- Ne vous servez pas de l'outil électroportatif dans un environnement où il y a un risque d'explosion dû à la présence de liquides inflammables, de gaz ou de poussières.** Les outils électroportatifs peuvent gé-

nerer des étincelles susceptibles d'enflammer la poussière ou les vapeurs.

- Éloignez les enfants et d'autres personnes pendant l'utilisation de l'outil électroportatif.** Si vous êtes distrait, vous pouvez perdre le contrôle de l'outil.

2 SÉCURITÉ ÉLECTRIQUE

- Le connecteur de l'outil électroportatif doit correspondre à la prise électrique. Le connecteur ne doit être modifié d'aucune façon. N'utilisez pas d'adaptateur avec des outils électroportatifs mis à la terre.** Des connecteurs intacts et des prises correspondantes diminuent le risque d'un choc électrique.
- Évitez tout contact avec des surfaces mises à la terre telles que des tuyaux, chauffages, cuisinières et réfrigérateurs.** Un risque élevé de choc électrique existe si votre corps est relié à la terre.
- Protégez les outils électroportatifs de la pluie et de l'humidité.** L'infiltration d'eau dans un outil électroportatif augmente le risque de choc électrique.
- Ne détournez pas l'utilisation du câble de raccordement pour porter l'outil électroportatif, l'accrocher ou pour tirer le connecteur de la prise. Éloignez le câble de la chaleur, de l'huile, de bords tranchants ou de pièces en mouvement.** Des câbles de raccordement endommagés ou enchevêtrés augmentent le risque de choc électrique.
- Si vous travaillez avec un outil électroportatif à l'extérieur, utilisez uniquement des rallonges prévues pour l'extérieur.** L'utilisation d'un câble prévu pour l'extérieur diminue le risque d'un choc électrique.
- Utilisez un disjoncteur à courant de défaut quand le fonctionnement de l'outil électroportatif en environnement humide ne peut pas être évité.** L'utilisation d'un disjoncteur à courant de défaut diminue le risque d'un choc électrique.

3 SÉCURITÉ DES PERSONNES

- Soyez attentif à ce que vous faites, faites preuve de bon sens lorsque vous travaillez avec l'outil électroportatif. N'utilisez pas l'outil électroportatif si vous êtes fatigué ou si vous êtes sous l'influence de drogues, de l'alcool ou de médicaments.** Un moment d'inattention lors de l'utilisa-

tion de l'outil électroportatif peut entraîner des blessures graves.

- b. **Portez un équipement de protection individuelle et des lunettes de protection en permanence.** Le port d'un équipement de protection individuelle tel que masque contre la poussière, chaussures de sécurité antidérapantes, casque ou protection auditive, en fonction du type et de l'utilisation de l'outil électroportatif, diminue le risque de blessures.
- c. **Évitez toute mise en service involontaire. Assurez-vous que l'outil électroportatif est déconnecté avant de le raccorder à l'alimentation électrique et/ou à la batterie, avant de le soulever ou de le porter.** Si, en portant l'outil électroportatif, vous avez le doigt sur l'interrupteur ou si vous raccordez l'appareil connecté à l'alimentation électrique, cela peut entraîner des accidents.
- d. **Retirez les outils de réglage ou les clés anglaises avant de connecter l'outil électroportatif.** Un outil ou une clé qui se trouve dans une partie en rotation de l'outil électroportatif peut entraîner des blessures.
- e. **Évitez toute position de travail anormale. Veillez à maintenir une position stable et un bon équilibre à tout moment.** Vous pourrez ainsi à tout moment contrôler l'outil électroportatif dans des situations inattendues.
- f. **Portez des vêtements adaptés. Ne portez pas de vêtements amples ou de bijoux. Éloignez vos cheveux et vos vêtements des pièces en mouvement.** Des vêtements amples, des bijoux ou des cheveux longs pourraient se prendre dans les pièces en mouvement.
- g. **Si des dispositifs d'aspiration et de récupération des poussières peuvent être montés, raccordez-les et utilisez-les correctement.** L'utilisation d'une aspiration des poussières peut diminuer les dangers dus aux poussières.
- h. **Ne vous croyez pas faussement en sécurité et n'enfreignez pas les règles de sécurité destinées aux outils électroportatifs, même si vous maîtrisez l'outil électroportatif après de multiples utilisations.** Un manque d'attention peut en un quart de seconde entraîner de graves blessures.

4 UTILISATION ET TRAITEMENT DE L'OUTIL ÉLECTROPORTATIF

- a. **Ne surchargez pas l'outil électroportatif. Utilisez l'outil électroportatif destiné à votre travail.** L'outil électroportatif adapté vous permet de travailler mieux et avec plus de sécurité dans la plage de puissance indiquée.
- b. **N'utilisez aucun outil électroportatif dont l'interrupteur serait défectueux.** Un outil électroportatif qui ne peut plus être mis en marche ou arrêté est dangereux et doit être réparé.
- c. **Débranchez le connecteur de la prise de courant et/ou retirez une batterie amovible avant d'effectuer des réglages sur l'appareil, de remplacer des pièces d'outil ou de déposer l'outil électroportatif.** Cette mesure de précaution empêche un démarrage involontaire de l'outil électroportatif.
- d. **Rangez toujours les outils électroportatifs inutilisés hors de portée des enfants. Ne laissez aucune personne à laquelle vous ne faites pas confiance ou qui n'a pas lu ces consignes se servir de l'outil électroportatif.** Les outils électroportatifs sont dangereux lorsqu'ils sont utilisés par des personnes inexpérimentées.
- e. **Prenez soin de vos outils électroportatifs et outils. Vérifiez que les parties mobiles fonctionnent sans problème, qu'elles ne coincent pas et qu'il n'y a pas de parties cassées ou endommagées qui pourraient entraver le bon fonctionnement de l'outil électroportatif. Faites réparer les parties endommagées avant d'utiliser l'outil électroportatif.** De nombreux accidents sont dus à un mauvais entretien des outils électroportatifs.
- f. **Maintenez les outils de coupe affûtés et propres.** Des outils de coupe entretenus avec soin dotés de bords de coupe affûtés se coincent moins et sont plus faciles à utiliser.
- g. **Utilisez l'outil électroportatif, les outils, etc. en respectant ces instructions. Tenez compte des conditions de travail et de la tâche à effectuer.** L'utilisation des outils électroportatifs pour d'autres applications que celles prévues peut entraîner des situations dangereuses.
- h. **Veillez à ce que les poignées et surfaces des poignées soient sèches, propres et exemptes d'huile ou de graisse.** Des poignées et surfaces de poignées glissantes

ne permettent pas une utilisation en toute sécurité ni un contrôle de l'outil électroportatif dans des situations imprévues.

5 UTILISATION ET TRAITEMENT DE L'OUTIL SANS FIL

- a. **Rechargez les batteries uniquement dans les chargeurs recommandés par le fabricant.** Un chargeur destiné à un certain type de batteries peut prendre feu s'il est utilisé avec d'autres batteries.
- b. **Utilisez uniquement les batteries prévues dans les outils électroportatifs.** L'utilisation d'autres batteries peut entraîner des blessures et un risque d'incendie.
- c. **Éloignez la batterie non utilisée des trombones, pièces de monnaie, clés, clous, vis ou tout autre objet métallique qui pourraient causer un pontage des contacts.** Un court-circuit entre les contacts de la batterie peut causer des brûlures ou un incendie.
- d. **En cas d'utilisation erronée, il est possible que du liquide s'écoule de la batterie. Éviter tout contact avec celui-ci. En cas de contact accidentel, rincer avec de l'eau. Si le liquide pénètre dans les yeux, consultez en plus un médecin.** Le liquide s'écoulant de la batterie peut causer des irritations cutanées ou des brûlures.
- e. **N'utilisez pas de batterie endommagée ou modifiée.** Des batteries endommagées ou modifiées peuvent causer des réactions inattendues et provoquer un incendie, une explosion ou des blessures.
- f. **N'exposez pas une batterie au feu ou à des températures élevées.** Le feu ou des températures supérieures à 130 °C peuvent provoquer une explosion.
- g. **Suivez toutes les instructions pour le chargement et ne chargez jamais la batterie ou l'outil sans fil hors de la plage de température indiquée dans la notice d'utilisation.** Un chargement erroné ou hors de la plage de température autorisée peut détruire la batterie et augmenter le risque d'incendie.

6 SERVICE

- a. **Faites réparer votre outil électroportatif uniquement par un personnel qualifié ; les réparations doivent être effectuées avec des pièces d'origine uniquement,** afin de garantir la fiabilité de l'outil électroportatif.

- b. **N'entretenez jamais de batteries endommagées.** Seul le fabricant ou des ateliers de service après-vente agréés doivent réaliser l'ensemble de la maintenance des batteries.
- c. **Pour la réparation et l'entretien, n'utilisez que des pièces d'origine.** L'utilisation d'accessoires ou de pièces détachées non adaptés risque de provoquer une électrocution ou des blessures.

3.2 Consignes de sécurité spécifiques pour perceuses-visseuses sans fil

- **Si l'outil monté risque d'entrer en contact avec des vis ou des câbles invisibles, tenez l'outil électroportatif à l'aide des poignées isolées.** Le contact avec un câble sous tension peut également mettre des pièces métalliques de l'appareil sous tension et provoquer une décharge électrique.
- **Utilisez des appareils de détection appropriés pour repérer les câbles d'alimentation invisibles ou consultez l'entreprise locale de distribution d'électricité.** Le contact de l'outil monté avec un câble sous tension peut provoquer un feu ou une décharge électrique. Une conduite de gaz endommagée peut provoquer une explosion. Le perçage dans une conduite d'eau provoque des dégâts matériels.



- **Portez un équipement de protection individuelle approprié :** une protection auditive, des lunettes de protection, un masque anti-poussière lors des travaux s'accompagnant d'un dégagement de poussière et des gants de protection dans le cas des matériaux rugueux et lors du changement d'outil.

⚠ ATTENTION ! L'outil électroportatif peut se bloquer et provoquer un recul soudain ! Mettre à l'arrêt immédiatement !

- Ne pas bloquer constamment l'interrupteur marche/arrêt !

Consignes de sécurité relatives à l'utilisation de forets longs

- **a) N'utilisez jamais la machine à une vitesse supérieure à la vitesse maximale autorisée pour le foret.** À des vitesses élevées, le foret risque facilement de se plier s'il peut tourner sans toucher la pièce, ce qui est susceptible de provoquer des blessures.

- **b) Commencez toujours à percer à une vitesse peu élevée et pendant que le foret est en contact avec la pièce.** À des vitesses élevées, le foret risque facilement de se plier s'il peut tourner sans toucher la pièce, ce qui est susceptible de provoquer des blessures.
- **c) Veillez à ne pas exercer de pression excessive, et seulement dans le sens longitudinal par rapport au foret.** Les forets peuvent se plier puis se rompre ou entraîner une perte de contrôle et provoquer des blessures.

3.3 Consignes de sécurité spécifiques à l'appareil et relatives à la batterie et au chargeur

- Ce chargeur peut être utilisé par des personnes aux capacités physiques, sensorielles ou mentales réduites ou manquant d'expérience et de connaissances si elles sont surveillées ou qu'elles ont reçu les instructions et informations nécessaires à une utilisation sûre de l'appareil et qu'elles comprennent les dangers en résultant. Les **enfants** ne doivent pas utiliser l'appareil ou jouer avec.
- Ne pas ouvrir la batterie ou le chargeur !
- Protéger le chargeur des pièces métalliques (par ex. copeaux métalliques) et des liquides !
- **Ne pas faire fonctionner l'outil électroportatif sans fil avec des blocs d'alimentation secteur ou avec des batteries d'autres fabricants. Ne pas utiliser de chargeurs d'autres fabricants pour recharger la batterie.** L'utilisation d'accessoires autres que ceux prévus par le fabricant peut provoquer une décharge électrique et/ou des accidents graves.
- Protéger la batterie contre les températures supérieures à 50 °C y compris, par ex., contre une exposition permanente aux rayons de soleil et contre le feu !
- Ne jamais utiliser de l'eau pour éteindre une batterie Li-ion enflammée ! Utiliser du sable ou une couverture antifeu.
- Contrôler régulièrement la fiche et le câble pour éviter tout danger. En cas d'endommagement, les faire remplacer uniquement par un atelier de service après-vente agréé.
- Lorsque le chargeur n'est pas utilisé, débrancher la fiche secteur de la prise de courant.

3.4 Chargeur Festool

REMARQUE: cet équipement a été testé et jugé conforme aux limites propres aux appareils numériques de Classe 8, conformément au Paragraphe 15 du règlement du FCC. Ces limites sont destinées à offrir une protection raisonnable contre les interférences nuisibles d'une installation résidentielle. Cet équipement produit, utilise et peut émaner des ondes radiofréquences et, s'il n'est pas installé et utilisé conformément aux directives du fabricant, peut causer des interférences nuisibles aux communications radio. En fonction des installations réalisées, il n'est cependant pas garanti que toute interférence soit exclue. Si cet équipement cause des interférences nuisibles à toute réception radio ou télévision, ce qui peut être déterminé en allumant et éteignant l'équipement, l'utilisateur est encouragé à tenter de corriger ces interférences en prenant l'une ou plusieurs des mesures suivantes:

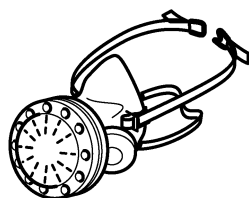
- Réorienter l'antenne de réception ou en changer l'emplacement.
- Augmenter la distance entre l'équipement et le récepteur.
- Brancher l'équipement à une prise située sur un circuit différent de celui sur lequel le récepteur est connecté.
- Contacter le détaillant ou consulter un technicien radio/télé qualifié.

3.5 La poussière, un risque pour la santé



AVERTISSEMENT! certaines poussières créées par le ponçage mécanique, le sciage, le meulage, le perçage et autres activités liées à la construction contiennent des substances chimiques connues (dans l'État de la Californie) comme pouvant causer le cancer, des anomalies congénitales ou représenter d'autres dangers pour la reproduction. Voici quelques exemples de telles substances:

- plomb provenant de peintures à base de plomb,
- silice cristallisée utilisée dans les briques, le ciment et autres matériaux de maçonnerie, et
- arsenic et chrome du bois d'oeuvre traité avec un produit chimique.



Le risque d'exposition à de tels produits varie selon la fréquence à laquelle vous faites ce genre de travail.

Pour réduire les risques d'exposition à ces substan-

ces chimiques : travaillez dans un endroit adéquatement ventilé et utilisez un équipement de sécurité approuvé, tel que masques antipoussières spécialement conçus pour filtrer les particules microscopiques.



AVERTISSEMENT

POUR RÉDUIRE LE RISQUE DE DOMMAGES, L'UTILISATEUR DOIT LIRE LE MANUEL D'INSTRUCTION.

4 Utilisation en conformité avec les instructions

Perceuse-visseuse sans fil convient

- pour le vissage et le serrage de vis,
- pour un perçage dans les matériaux suivants : métal, bois, plastique et autres matériaux similaires.

Ne convient pas pour serrer d'autres accessoires que forets et embouts, par ex. scies cloche, tiges mélangeuses, brosses métalliques.

Le chargeur MXC convient

- conçu pour la charge des batteries indiquées.
- prévu seulement pour une utilisation en intérieur.



L'utilisateur est responsable des dommages provoqués par une utilisation non conforme, utilisation en milieu industriel comprise.

5 Caractéristiques techniques

Perceuses-visseuses sans fil	TXS
Tension du moteur	10,8 V
Vitesse de rotation à vide*	
1ère vitesse	0 - 430 tr/min
2ème vitesse	0- 1300 tr/min
Couple max.	
Vissage dans un support tendre/dur	10/ 16 Nm
Couple réglable	0,3 - 3,4 Nm
Capacité du mandrin	1/16" - 3/8"
	1 - 10 mm

Perceuses-visseuses sans fil	TXS
Diamètre de perçage max.	1/2" / 5/16"
Bois/métal	12/ 8 mm
Porte-outil dans la broche de perçage	1/4"
Poids correspond à la procédure EPTA 01:2014 (avec batterie + mandrin de perçage)	2.4 lbs (1.1 kg)
Poids avec batterie + Centre-tec	2 lbs (0.9 kg)

* Valeurs de vitesse de rotation avec batterie entièrement chargée.



D'autres caractéristiques techniques concernant le chargeur et la batterie fournie sont indiquées page .

6 Description fonctionnelle

Des éléments fournis sont disponibles sur le volet qui se trouve au début de cette notice d'utilisation. Vous pouvez ainsi déplier cette page et visualiser en permanence les différentes parties de l'outil lorsque vous lisez la notice.

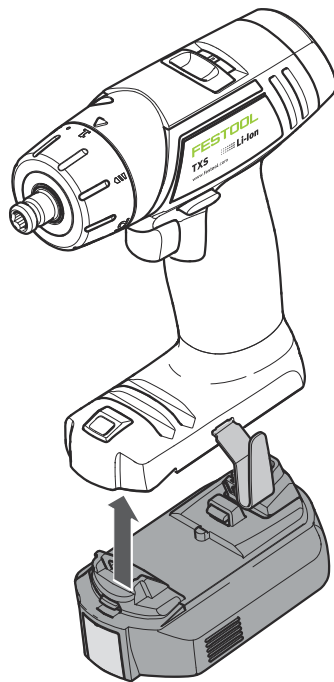
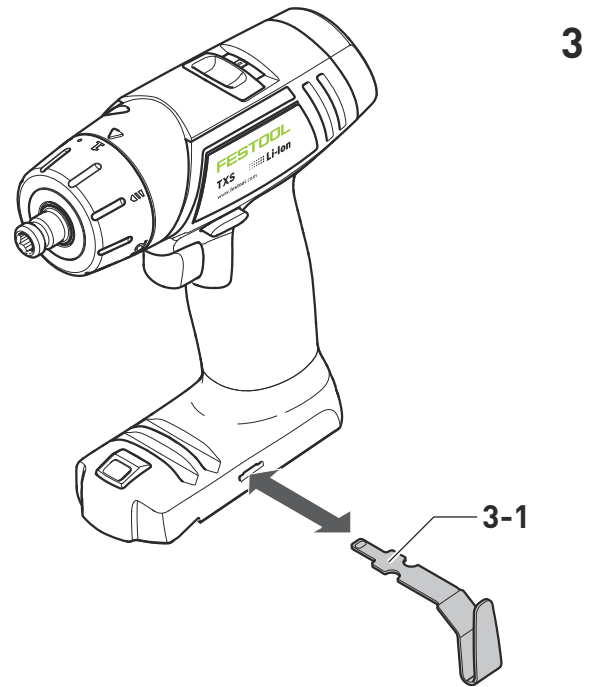
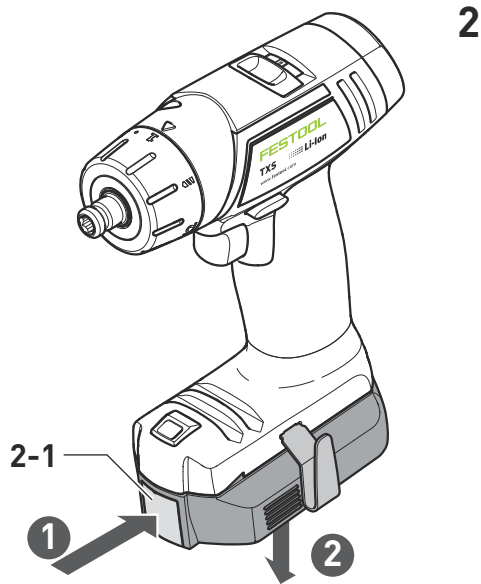
- [1-1]** Symbole de perçage
- [1-2]** Molette de réglage du couple
- [1-3]** Repère de couple/position de perçage
- [1-4]** Commutateur de vitesses
- [1-5]** Commutateur pour rotation à droite / rotation à gauche
- [1-6]** Interrupteur de marche/arrêt
- [1-7]** Clip-ceinture
- [1-8]** Poignée isolée (zone grisée)
- [1-9]** Touche d'extraction du bloc batterie
- [1-10]** Lampe LED avec affichage de la capacité
- [1-11]** Support d'embouts

7 Mise en service

7.1 Remplacement de la batterie [2]

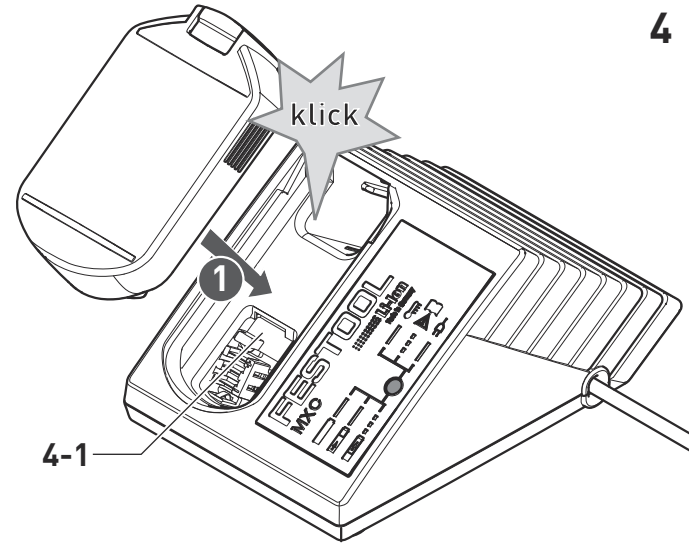


La batterie peut être utilisée immédiatement après livraison et peut être chargée à tout moment.



7.3 Charge de la batterie [5]

- ▶ Insérez la batterie à charger dans le logement [4-1] du chargeur.
- ▶ Pour retirer la batterie, pressez le touche [4-2] et degage la batterie dans le sens inverse.



Retirer la batterie

- ▶ Pressez le touche [2-1].
- ▶ Retirez la batterie en bast.

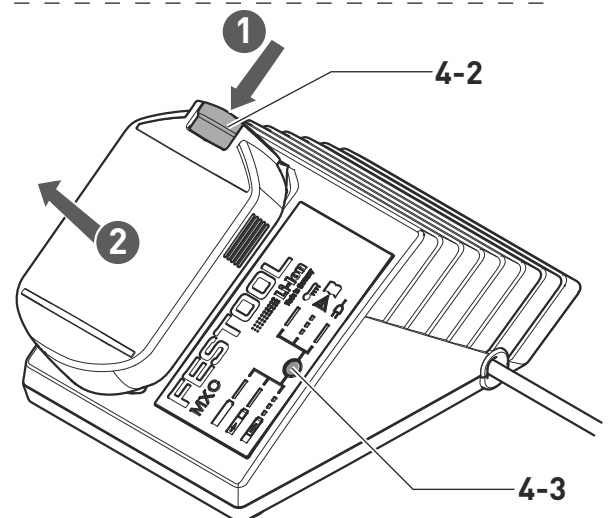
Insérer la batterie

- ▶ Insérez la batterie jusqu'à l'enclenchement, comme indiqué sur la figure [2].

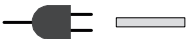
7.2 Changer côté du clip pour ceinture


Fixez le clip pour ceinture [3-1] en droite ou gauche, dependant en quelle côté vous voulez porter la perceuse.


- ▶ Retirer la batterie [2].
- ▶ Retirer le clip pour ceinture [3-1].
- ▶ Insérer le clip pour ceinture.
- ▶ Insérer la batterie [2].





La LED **[4-3]** du chargeur indique l'état de service respectif du chargeur.


- 

LED jaune - allumée en continu
Le chargeur est opérationnel.
- 

LED verte - clignotement rapide
La batterie est chargée avec le courant maximal.
- 

LED verte - clignotement lent
La batterie est chargée à 80 % et est chargée avec un courant réduit.
- 

LED verte - allumée en continu
La batterie est chargée.
- 

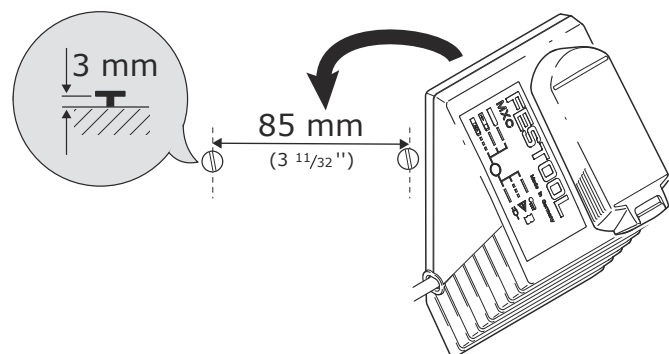
LED rouge - clignotement
Affichage de défaut général, par ex. pas de contact total, court-circuit, batterie défectueuse, etc.
- 

LED rouge - allumée en continu
La température de la batterie est en-dehors des valeurs limites admissibles (de 0 °C à 55 °C).

7.4 Fixation murale du chargeur

Le chargeur MXC est pourvu sur sa face arrière de deux trous oblongs. Il peut être fixé sur un mur au moyen de deux vis (p. ex. vis à tête demi-ronde ou vis à tête plate, avec un diamètre de tige de 5 mm), (voir fig. **[5]**).

5



8 Réglages

Attention aux illustrations au début de la présente notice d'utilisation.



ATTENTION

Risque de blessures

- Réglages à effectuer uniquement quand l'outil électroportatif est à l'arrêt !

8.1 Modification du sens de rotation [1-5]

- Commutateur vers la gauche = rotation à droite
- Commutateur vers la droite = rotation à gauche

8.2 Changement de vitesse [1-4]

- Commutateur de vitesse vers l'avant (chiffre 1 visible) = 1ère vitesse
- Commutateur de vitesse vers l'arrière (chiffre 2 visible) = 2ème vitesse

8.3 Réglage du couple

Réglez le couple correspondant par le biais de la molette de réglage du couple **[1-2]**. Le repère **[1-3]** indique la valeur réglée.

Perçage

Réglez la molette de réglage du couple **[1-2]** de manière à ce que son repère soit pointé sur le symbole de perçage **[1-3]**. Le couple maximal est réglé dans cette position.

Vissage

Réglez le couple correspondant par le biais de la molette de réglage du couple **[1-2]**:

Position 1 = couple faible

Position 12 = couple élevée

La machine s'arrête en atteignant le couple réglé et un signal sonore indique l'atteinte de la valeur de coupure. La machine ne redémarre qu'après relâchement et nouvelle pression sur l'interrupteur MARCHE / ARRET **[1-6]**.

9 Porte-outil, embouts



AVERTISSEMENT

Risque de blessures

- Retirer systématiquement la batterie de l'outil avant tous les travaux sur l'outil !

**ATTENTION****Outil chaud et tranchant****Risque de blessures**

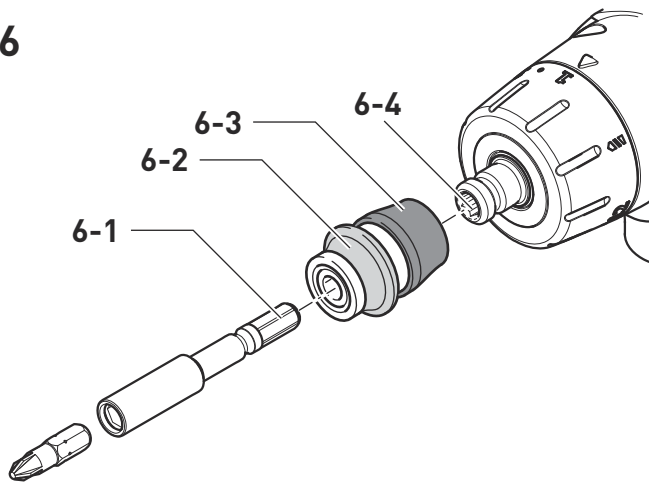
- ▶ Ne pas utiliser d'outil émoussé ou défectueux !
- ▶ Porter des gants de protection.

9.1 Mandrin CENTROTEC WH-CE

Le mandrin CENTROTEC WH-CE permet un remplacement rapide des outils avec tige CENTROTEC.



Montez uniquement les outils CENTROTEC dans le mandrin CENTROTEC.

Montage du mandrin CENTROTEC**6**

- ▶ Tirez la bague de déverrouillage [6-3] vers l'avant.
- ▶ Montez le mandrin jusqu'en butée sur la broche de la perceuse [6-4].
- ▶ Relâchez la bague de déverrouillage [6-3].

Démontage du mandrin CENTROTEC

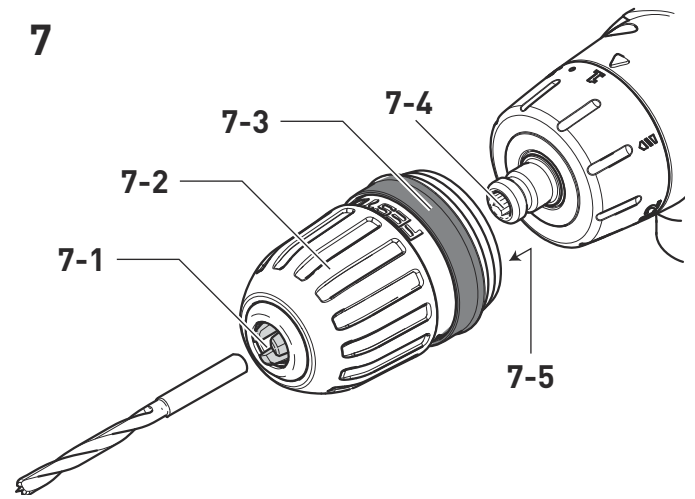
- ▶ Tirez la bague de déverrouillage [6-3] vers l'avant.
- ▶ Retirez le mandrin.

Remplacement d'outil

- ▶ Pour monter ou démonter un outil avec tige CENTROTEC, tirez la bague de déverrouillage verte [6-2] en arrière.
- ▶ Lors du montage, tournez l'outil jusqu'à ce que sa tige à six pans [6-1] s'engage dans le logement six pans de la broche de la perceuse.
- ▶ Relâchez la bague de déverrouillage [6-2].

9.2 Mandrin de perçage BF-FX 10

Le mandrin de perçage BF-FX 10 peut accueillir des forets et des embouts dont le diamètre de queue n'est pas supérieur à 10 mm.

7**Montage du mandrin de perçage BF-FX 10**

- ▶ Montez le mandrin de perçage sur la broche de la perceuse [7-4].
- ▶ Tirez la bague de déverrouillage [7-3] vers l'avant.
- ▶ Tournez-la jusqu'à ce que la broche carrée [7-5] du mandrin de perçage s'engage dans le logement six pans creux de la broche de la perceuse.
- ▶ Pressez le mandrin de perçage jusqu'en butée sur la broche de la perceuse.
- ▶ Relâchez la bague de déverrouillage [7-3].

Démontage du mandrin de perçage BF-FX 10

- ▶ Tirez la bague de déverrouillage [7-3] vers l'avant.
- ▶ Retirez le mandrin de perçage.

Remplacement d'outil

- ▶ Tournez la douille de serrage [7-2] dans le sens inverse des aiguilles d'une montre, afin d'ouvrir les mâchoires de serrage [7-1].



La flèche se trouvant sur la broche indique le sens de rotation pour l'ouverture.

- ▶ Montez l'outil dans le mandrin de perçage.

**ATTENTION****Risques de blessures**

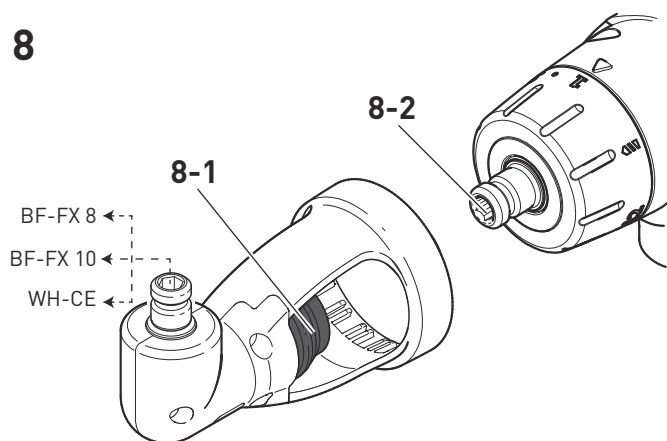
- ▶ Serrez l'outil de façon centrée dans le mandrin!

- ▶ Tournez la douille de serrage [7-2] dans le sens des aiguilles d'une montre, afin de serrer l'outil.

9.3 Renvoi d'angle XS-AS

Le renvoi d'angle XS-AS (équipement additionnel en partie) permet un perçage et un vissage à angle droit par rapport à la machine.

8



Montage du renvoi d'angle XS-AS

- Tirez la bague de déverrouillage verte [8-1] vers l'avant.
- Montez le renvoi d'angle sur la broche de la perceuse [8-2].
- Tournez-le jusqu'à ce qu'il s'engage dans la position souhaitée.



Le renvoi d'angle peut être fixé dans 16 positions angulaires différentes.

- Relâchez la bague de déverrouillage [8-1].

Démontage du renvoi d'angle XS-AS

- Tirez la bague de déverrouillage verte [8-1] vers l'avant.
- Retirez le renvoi d'angle.

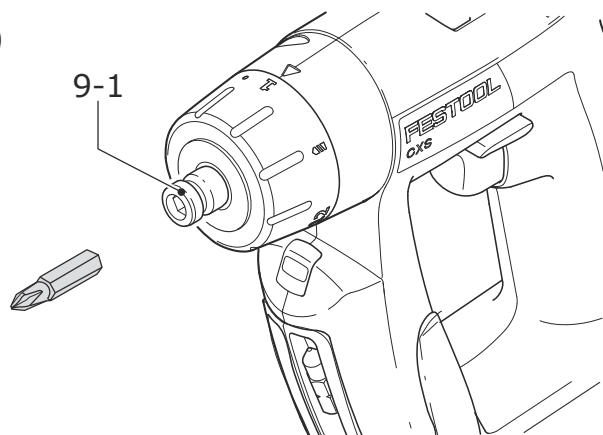
Remplacement d'outil

Les outils peut être fixez en renvoi d'angle avec le CENTROTEC mandrin, le mandrin de perçage BF-XS 8, BF-XS 10 ou dans la broche.

9.4 Porte-outil dans la broche de la perceuse

Afin d'alléger et de raccourcir la longueur de la machine, les embouts peuvent être montés directement dans le logement six pans creux de la broche de la perceuse [9-1]

9



10 Travail avec l'outil électroportatif

Attention aux illustrations au début de la présente notice d'utilisation.



AVERTISSEMENT

Risques de blessures

- Fixer la pièce à usiner de manière à ce qu'elle ne puisse pas bouger pendant le traitement.

10.1 Marche/arrêt [1-6]

Presser = ON, relâcher = OFF

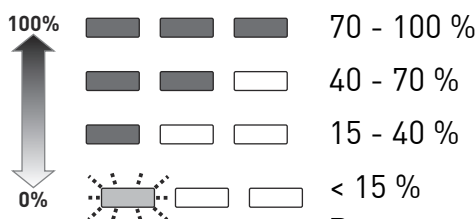


Selon la pression sur l'interrupteur de marche/arrêt, la vitesse de rotation peut être commandée progressivement.

10.2 Lampe LED avec affichage de la capacité

La lampe à LED [1-10] est allumée lorsque l'interrupteur de marche/arrêt est appuyé [1-6].

Après avoir relâché l'interrupteur MARCHÉ/ARRÊT [1-6], l'affichage de la capacité indique pendant quelques secondes sur la lampe LED [1-10] l'état de charge de la batterie :



Recommandation:

recharger le bloc batteries avant de continuer de l'utiliser.

10.3 Support d'embouts [1-11]

Magnétique, pour l'emmanchement d'embouts ou de porte-embouts.

10.4 Signaux d'avertissement

L'outil électroportatif s'arrête, l'affichage de la capacité clignote : la batterie est vide.

- Remplacer la batterie.

L'outil électroportatif s'arrête, l'affichage de la capacité ne clignote pas : l'outil électroportatif est en surchauffe ou en surcharge.

- Moins surcharger l'outil électroportatif.
- Faire refroidir l'outil électroportatif.

11 Entretien et maintenance



AVERTISSEMENT

Risques de blessures, choc électrique

- Retirez systématiquement la batterie de la machine avant tous les travaux de maintenance et d'entretien !



AVERTISSEMENT

Tout travail de maintenance ou de réparation, qui nécessite l'ouverture du moteur ou du carter d'engrenages doit uniquement être effectué par un centre service-client autorisé (nom fourni par votre revendeur) !

- Les travaux de maintenance ou de réparation effectués par un personnel non autorisé peuvent conduire à la mauvaise connexion de câbles d'alimentation ou d'autres composants, ce qui peut entraîner à son tour des accidents avec des conséquences graves.



ATTENTION

Certains produits nettoyants et solvants sont nocifs pour les pièces en plastique.

- Quelques exemples de produit nocif : essence, acétone, méthyléthylcétone (MEK), chlorure de carbonyle, solutions nettoyantes contenant du chlore, de l'ammoniac et les produits ménagers contenant de l'ammoniac.



Service après-vente et réparation

uniquement par le fabricant ou des ateliers de service après-vente. Pour trouver l'adresse la plus proche : www.festoolusa.com/service



Utiliser uniquement des pièces détachées Festool d'origine !
Réf. sur : www.festoolusa.com/service

Respecter les consignes suivantes

- Les ouvertures de ventilation de l'outil électroportatif doivent rester dégagées et propres afin d'assurer le refroidissement.
- Veiller à ce que les contacts de branchement sur l'outil électroportatif, le chargeur et la batterie restent propres.

Consignes relatives aux batteries

- Stockage à un endroit sec et frais, dans une plage de température de 5 °C à 25 °C.
- Protéger les batteries de l'humidité et de l'eau ainsi que de la chaleur.
- Ne pas laisser les batteries vides pendant plus d'un mois environ dans le chargeur lorsque ce dernier est débranché. Risque de décharge complète !
- En cas de stockage prolongé de batteries Li-ion inutilisées, recharger ces dernières à 40 % de leur capacité (environ 15 min de recharge).
- Afin d'éviter des courts-circuits, conserver la batterie dans l'emballage fourni.

Vérifier que les avertissements figurant sur l'outil électroportatif sont lisibles et au complet. Remplacer les avertissements manquants ou illisibles.

12 Accessoires

Utilisez uniquement les accessoires Festool et consommables Festool d'origine prévus pour cette machine, car ces composants systèmes sont parfaitement adaptés les uns par rapport aux autres. Si vous utilisez des accessoires et consommables d'autres marques, la qualité du résultat peut être dégradée et les recours en garantie peuvent être soumis à des restrictions. L'usure de la machine ou votre charge personnelle peuvent augmenter selon chaque application. Pour cette raison, protégez-vous, votre machine et vos droits à la garantie en utilisant exclusivement des accessoires Festool et des consommables Festool d'origine !

Les références des accessoires et des outils figurent dans le catalogue Festool ou sur Internet sous "www.festoolusa.com".

12.1 SYSTAINER

Systainer


De nombreux produits Festool sont fournis dans une caisse exclusive, appelée "Systainer". Celle-ci permet de protéger et de ranger des outils et des appareils complémentaires. Les Systainer sont empilables et peuvent être solidarisés. En outre, il se fixent sur les aspirateurs CT Festool.

Pour ouvrir le Systainer




Tournez le T-loc **[SYS-b-1]** à cette position.

Pour fermer le Systainer


 Tournez le T-loc **[SYS-b-1]** à cette position.

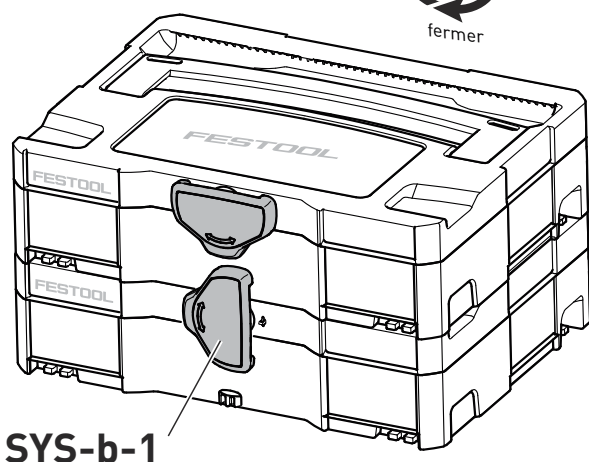
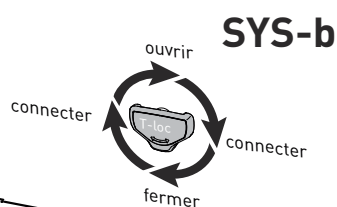
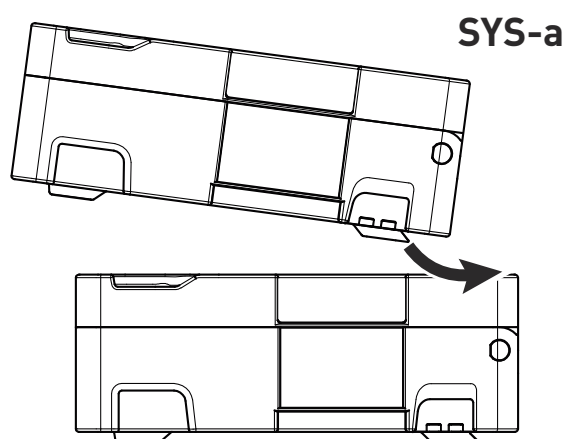
Pour connecter deux Systainers

Placez un Systainer au dessus de l'autre **[SYS-a]**.

 Tournez le T-loc **[SYS-b-1]** à une de cette positions (Fig. **[SYS-b]**).

Les Systainers sont combinés.

 Un Systainer de la nouvelle génération peut être attaché au dessus d'un Systainer de l'ancienne génération par les quatre loquets de l'ancien Systainer.



13 Environnement

Ne jetez pas l'appareil avec les ordures ménagères ! Eliminez l'appareil, les accessoires et les emballages de façon compatible avec l'environnement. Respectez les prescriptions nationales en vigueur.

Mise au rebut des batteries



AVERTISSEMENT

Risque d'incendie ou de blessures

- ▶ Ne tentez pas de désassembler la batterie ou d'enlever tout composant faisant saillie des bornes de batterie.
- ▶ Avant la mise au rebut, protégez les bornes exposées à l'aide d'un ruban isolant épais pour prévenir le court-circuitage.



Le sceau RBRC™ (Rechargeable Battery Recycling Corporation), que se trouve sur les batteries au nickel-cadmium (NiCd), nickel-hydrure métallique (NiMH) ou au lithium-ion (Lilon) indique que Festool participe volontairement à une programme industriel de ramassage et de recyclage de ces batteries au terme de leur vie utile, pourvu qu'elles soient mise hors service aux États-Unis ou au Canada. Dans certaines régions, il est illégal placer de batteries usées à la poubelle ou au ramassage d'ordures municipal, et RBRC programme offre une alternative respectueuse de l'environnement.

S'il vous plaît appeler 1-800-822-8837 pour obtenir des renseignements sur les interdictions de recyclage des batteries et l'élimination/restrictions dans votre région ou renvoyez vos batteries à un Centre de Service Festool pour recyclage. Aidez à protéger notre environnement et préserver les ressources naturelles!

14 Transport

Les batteries li-lon fournies sont soumises aux exigences de la loi allemande sur le transport des matières dangereuses. L'utilisateur est tenu de s'informer sur les règlements locaux avant le transport. En cas d'expédition par des tiers (par ex. : transport aérien ou société de transport), des exigences spécifiques doivent être prises en compte. Il est nécessaire de faire appel à un expert du transport des matières dangereuses lors de la préparation du colis. Expédier la batterie uniquement si elle n'est pas endommagée. Respecter les règlements locaux lors de l'expédition. Respectez les éventuels règlements nationaux complémentaires.




Índice de contenidos

1	Sobre este manual.....	29
2	Símbolos.....	29
3	Indicaciones de seguridad.....	30
4	Uso conforme a lo previsto.....	33
5	Datos técnicos.....	34
6	Descripción de las funciones.....	34
7	Puesta en servicio.....	34
8	Ajustes.....	36
9	Alojamiento para herramienta, accesorios de prolongación.....	36
10	Trabajo con la herramienta eléctrica.....	38
11	Mantenimiento y cuidado.....	39
12	Accesorios.....	39
13	Medio ambiente.....	40
14	Transporte.....	40

1 Sobre este manual




Guarde estas instrucciones

Es importante que usted lea y entienda este manual. La información que contiene se relaciona con la protección de **su seguridad** y la **prevención de problemas**. Los símbolos que siguen se utilizan para ayudarlo a reconocer esta información.

	PELIGRO	Descripción de peligro inminente y fracaso para evitar riesgos que podran causar la muerte.
	ADVERTENCIA	Descripción de peligro y posibles lesiones resultantes o la muerte.
	PRECAUCIÓN	Descripción de peligro y posibles lesiones resultantes.
	AVISO	Descripción de los posibles daños en el dispositivo o en su entorno.

2 Símbolos

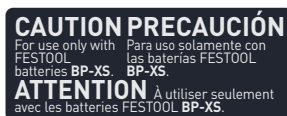
Símbolo Significado

	Aviso de peligro general
	Peligro de electrocución
	¡Leer el manual de instrucciones y las indicaciones de seguridad!

Símbolo Significado

	¡Usar protección para los oídos!
	¡Utilizar guantes de protección!
	¡Utilizar protección respiratoria!
	¡Utilizar gafas de protección!
	Insertar la batería.
	Aflojar la batería.
	Consejo, indicación
	Guía de procedimiento
	Diámetro
	Max. sujeción del portabrocas
	RBRC Sello - Lilon
	Tensión de entrada y frecuencia de la red
	Tensión de salida
	Carga rápida máx.
	Rango de temperatura permitido
	Clase de protección II
	Tiempos de recarga
	Capacidad
	Número de células
	Peso
V	voltios
A	amperios
Hz	hertzios
~ a.c.	tensión alterna
— d.c.	tensión continua
n_0	revoluciones por minuto en vacío
rpm	revoluciones por minuto
min^{-1}	

°C	centígrados
min.	minutos
Ah	amperio-hora
kg	kilogramo
Wh	vatio-hora



PRECAUCIÓN Para uso solamente con las baterías FESTOOL BP-XS

3 Indicaciones de seguridad

3.1 Instrucciones generales de seguridad para herramientas eléctricas



¡ADVERTENCIA! Leer todas las indicaciones de seguridad, instrucciones, ilustraciones y datos técnicos que acompañan a esta herramienta eléctrica. Si no se cumplen debidamente las instrucciones siguientes, puede producirse una descarga eléctrica, quemaduras o lesiones graves.

Guarde todas las indicaciones de seguridad e instrucciones para que sirvan de futura referencia.

El término «herramienta eléctrica» empleado en las indicaciones de seguridad hace referencia a herramientas eléctricas conectadas a la red eléctrica (con un cable de red) o a herramientas eléctricas alimentadas con batería (sin cable de red).

1 SEGURIDAD EN EL LUGAR DE TRABAJO

- Mantenga su zona de trabajo limpia y bien iluminada.** El desorden o la falta de iluminación en las zonas de trabajo pueden dar lugar a accidentes.
- No trabaje con la herramienta eléctrica en entornos potencialmente explosivos donde se encuentren líquidos, gases o polvos inflamables.** Las herramientas eléctricas producen chispas que pueden inflamar el polvo o los vapores.
- Mantenga a los niños y otras personas alejados de la herramienta eléctrica durante el uso.** Si se distrae, puede perder el control de la herramienta.

2 SEGURIDAD ELÉCTRICA

- El conector de la herramienta eléctrica debe encajar en el enchufe. El conector no debe modificarse en modo alguno. No utilice conectores adaptadores con herramientas eléctricas con puesta a tierra.**

Unos conectores intactos y unos enchufes adecuados reducen el riesgo de descarga eléctrica.

- Evite el contacto físico con superficies con puesta a tierra como las de tuberías, calefacciones, cocinas y frigoríficos.** Existe un riesgo elevado de descarga eléctrica si su cuerpo está en contacto con la tierra.
- Mantenga las herramientas eléctricas lejos de la lluvia y la humedad.** La penetración de agua en una herramienta eléctrica aumenta el riesgo de descarga eléctrica.
- No utilice el cable de conexión para transportar o colgar la herramienta eléctrica ni para extraer el conector del enchufe. Mantenga el cable de conexión alejado del calor, aceite, cantos afilados o piezas en movimiento.** Los cables de conexión dañados o enredados aumentan el riesgo de descarga eléctrica.
- Si trabaja con una herramienta eléctrica al aire libre, utilice únicamente alargadores aptos para el uso en exteriores.** El empleo de alargadores aptos para el uso en exteriores reduce el riesgo de descarga eléctrica.
- Cuando sea inevitable el uso de la herramienta eléctrica en un entorno húmedo, utilice un interruptor diferencial.** El uso de un interruptor diferencial reduce el riesgo de que se produzca una descarga eléctrica.

3 SEGURIDAD DE LAS PERSONAS

- Sea cuidadoso, preste atención a lo que está haciendo y actúe con prudencia al trabajar con herramientas eléctricas. No utilice ninguna herramienta eléctrica si está cansado o bajo los efectos de drogas, alcohol o medicamentos.** Una mínima distracción mientras está utilizando la herramienta eléctrica puede ocasionarle graves lesiones.
- Lleve puesto el equipamiento de protección personal y utilice gafas de protección en todo momento.** El empleo del equipamiento de protección personal como p. ej. mascarilla, guantes de seguridad antideslizantes, casco o protección de oídos, según el tipo y la aplicación de la herramienta eléctrica, reduce el riesgo de lesiones.
- Evite un arranque accidental de la herramienta. Asegúrese de que está desconectada antes de conectarla al suministro de corriente o la batería, recogerla o transportarla.** Existe peligro de accidente si

transporta la herramienta eléctrica con el dedo sobre el interruptor o si conecta la herramienta encendida a la red.

- d. **Retire las herramientas de ajuste y las llaves de tornillos antes de conectar la herramienta eléctrica.** Si una herramienta o llave se encuentra en una pieza en movimiento de la herramienta eléctrica, pueden producirse lesiones.
- e. **Evite una postura anormal del cuerpo. Procure un apoyo seguro y mantenga el equilibrio en todo momento.** De esta manera podrá controlar mejor la herramienta eléctrica en situaciones inesperadas.
- f. **Utilice ropa adecuada. No utilice ropa ancha ni objetos de joyería o bisutería. Mantenga el pelo y la ropa alejados de las piezas en movimiento.** La ropa holgada o el pelo largo pueden quedar atrapados por piezas en movimiento.
- g. **Si se montan dispositivos de aspiración o recogida de polvo, estos deberán conectarse y utilizarse correctamente.** El empleo de un sistema de aspiración del polvo puede disminuir los peligros a causa del polvo.
- h. **No se cree un falso sentido de la seguridad ni ignore las normas de seguridad de las herramientas eléctricas, ni siquiera si está muy familiarizado con el uso de la herramienta.** Una distracción durante el manejo puede derivar en graves lesiones en cuestión de pocas fracciones de segundo.

4 USO Y MANEJO DE LA HERRAMIENTA ELÉCTRICA

- a. **No sobrecargue la herramienta eléctrica. Utilice la herramienta eléctrica adecuada para el trabajo que va a realizar.** Con la herramienta apropiada trabajará mejor y más seguro en el rango de potencia especificado.
- b. **No utilice ninguna herramienta eléctrica cuyo interruptor esté defectuoso.** Una herramienta eléctrica que no se pueda conectar o desconectar resulta peligrosa y es necesario repararla.
- c. **Extraiga el conector del enchufe o retire la batería extraíble antes de efectuar los ajustes de la herramienta, cambiar piezas o guardar la herramienta eléctrica.** Esta medida de seguridad impide el arranque accidental de la herramienta eléctrica.
- d. **Mantenga las herramientas eléctricas que no esté utilizando fuera del alcance de los**

niños. No permita que la herramienta eléctrica sea utilizada por personas que no estén familiarizadas con ella o no hayan leído las presentes indicaciones. Las herramientas eléctricas en manos inexpertas pueden ser peligrosas.

- e. **Trate las herramientas eléctricas y las herramientas intercambiables con cuidado. Compruebe si las partes móviles funcionan correctamente y no se atascan, y si hay piezas rotas o tan deterioradas que podrían mermar el funcionamiento de la herramienta eléctrica. Haga reparar las piezas deterioradas antes de usar la herramienta eléctrica.** Muchos accidentes tienen su origen en un mantenimiento deficiente de las herramientas eléctricas.
- f. **Mantenga las herramientas cortantes limpias y afiladas.** Las herramientas cortantes bien cuidadas con aristas de corte afiladas se atascan menos y se guían más fácilmente.
- g. **Utilice la herramienta eléctrica, las herramientas intercambiables, etc., de acuerdo con estas instrucciones. Para ello, tenga en cuenta las condiciones de trabajo y la actividad que debe realizar.** El uso de herramientas eléctricas en aplicaciones diferentes a las previstas puede dar lugar a situaciones peligrosas.
- h. **Mantenga las superficies de agarre y los mangos secos, limpios y libres de aceite y grasa.** Un mango o unas superficies de agarre resbaladizos no permiten un manejo y control seguros de la herramienta eléctrica en situaciones imprevistas.

5 USO Y MANEJO DE LA HERRAMIENTA A BATERÍA

- a. **Las baterías deben cargarse exclusivamente en cargadores recomendados por el fabricante.** Existe riesgo de incendio si un cargador apto para un determinado tipo de batería se utiliza con otras baterías.
- b. **Utilice solo las baterías previstas en las herramientas eléctricas en cuestión.** El uso de otras baterías puede provocar lesiones y riesgo de incendio.
- c. **Mantenga la batería que no utilice alejada de clips, monedas, llaves, clavos, tornillos o cualquier otro objeto metálico pequeño que pueda provocar el puenteo de los contactos.** Un cortocircuito entre los contactos de la batería puede causar quemaduras o fuego.

- d. **Si la batería se utiliza incorrectamente, pueden producirse fugas de líquido. Evite el contacto con este líquido. En caso de contacto accidental, enjuague con agua. Si el líquido entra en contacto con los ojos, busque además asistencia médica.** El líquido derramado de la batería puede causar irritaciones en la piel o quemaduras.
- e. **No utilice baterías dañadas o modificadas.** Una batería dañada o modificada puede presentar un comportamiento imprevisible y producir fuego o explosiones o entrañar peligro de lesiones.
- f. **No exponga las baterías al fuego ni a altas temperaturas.** El fuego o una temperatura por encima de 130 °C puede originar una explosión.
- g. **Siga todas las instrucciones para la carga y no cargue la batería ni la herramienta a batería fuera del rango de temperatura especificado en el manual de instrucciones.** Una carga incorrecta o fuera del rango de temperatura permitido puede dañar la batería e incrementar el peligro de incendio.

6 SERVICIO

- a. **Encargue la reparación de su herramienta eléctrica únicamente a personal técnico cualificado y solo con piezas de recambio originales.** De esta forma queda garantizada la seguridad de la herramienta eléctrica.
- b. **Nunca realice trabajos de mantenimiento en una batería dañada.** Únicamente el fabricante o los centros autorizados del Servicio de Atención al Cliente pueden llevar a cabo los trabajos de mantenimiento de las baterías.
- c. **Utilice exclusivamente piezas originales para la reparación y el mantenimiento de la herramienta.** El uso de accesorios o piezas de recambio no previstos puede producir descargas eléctricas o lesiones.

3.2 Indicaciones de seguridad específicas para taladros atornilladores de batería

- **La herramienta eléctrica debe sujetarse por las superficies de agarre aisladas cuando se lleven a cabo trabajos en los que la herramienta de corte o los tornillos pudieran entrar en contacto con cables eléctricos ocultos.** El contacto con una conducción de corriente puede poner bajo tensión las piezas metálicas de la máquina y provocar una descarga eléctrica.

- **Utilice aparatos de detección adecuados para encontrar tuberías de abastecimiento ocultas o consulte a la compañía local de abastecimiento de energía.** El contacto de la herramienta con cables eléctricos puede provocar fuego y descargas eléctricas. Si se daña una tubería de gas, puede provocar una explosión. La penetración en una tubería de agua ocasiona daños materiales.



- **Es imprescindible utilizar los equipos de protección personal adecuados:** protección para los oídos, gafas de protección, mascarilla para trabajos que generen polvo, guantes de protección al trabajar con materiales rugosos y para cambiar de útil.



ATENCIÓN. La herramienta eléctrica puede bloquearse y provocar contragolpes repentinos ¡Desconectar de inmediato!

- El interruptor de conexión y desconexión no debe bloquearse permanentemente.

Indicaciones de seguridad para el uso de brocas largas

- **a) Nunca trabaje con un número de revoluciones superior al máximo permitido para la broca.** A revoluciones más elevadas, la broca podría doblarse ligeramente si gira libremente sin estar en contacto con la pieza de trabajo, lo que podría ser causa de lesiones.
- **b) Comience la operación de taladrado siempre con una velocidad baja y con la broca en contacto con la pieza de trabajo.** A revoluciones más elevadas, la broca podría doblarse ligeramente si gira libremente sin estar en contacto con la pieza de trabajo, lo que podría ser causa de lesiones.
- **c) No aplique demasiada presión y hágalo solo en sentido longitudinal con respecto a la broca.** Las brocas pueden doblarse, lo que podría traducirse en rotura o en pérdida de control y lesiones.

3.3 Indicaciones de seguridad específicas para batería y cargador

- Este cargador puede ser utilizado por personas con capacidades físicas, sensoriales o mentales disminuidas o con falta de experiencia y conocimientos si son vigilados o han sido instruidos respecto al uso seguro de la máquina y comprenden los peligros

derivados del mismo. Los **niños** no pueden utilizar la máquina ni jugar con ella.

- No abrir la batería ni el cargador.
- Proteger el cargador de piezas metálicas (p. ej., virutas) o líquidos.
- **No utilizar fuentes de alimentación o baterías de otro fabricante con la herramienta eléctrica de batería. No utilizar cargadores de otro fabricante para cargar la batería.** El uso de accesorios no previstos por el fabricante puede provocar una descarga eléctrica o accidentes graves.
- Proteger la batería de fuentes de calor > 50 °C, como por ejemplo la radiación solar prolongada o el fuego.
- No apagar nunca con agua una batería Li-Ion en llamas. Para ello utilizar arena o una manta contra incendios.
- Comprobar periódicamente el enchufe y el cable para evitar riesgos. En caso de que presenten daños, acudir exclusivamente a un taller autorizado para que los sustituya.
- Si el cargador no se está utilizando, desconectar el enchufe de la caja de contacto.

3.4 Cargador Festool

NOTA: este equipo ha sido probado y se ha encontrado que cumple con los límites establecidos para dispositivos digitales Clase 8, en conformidad con la Parte 15 del Reglamento de la FCC. Estos límites están diseñados para ofrecer un nivel razonable de protección contra la interferencia dañina en instalaciones residenciales. Este equipo genera, utiliza y puede emitir energía de radiofrecuencia y, si no se instala y utiliza de acuerdo a /as instrucciones proporcionadas, puede producir una interferencia dañina a la comunicación radial. Sin embargo, no existen garantías de que no ocurra interferencia alguna en una instalación en particular. Si este equipo produce interferencia dañina a su recepción radial y de televisión, lo que puede ser determinado al apagar y volver a encender el equipo, se pide al usuario que corrija la interferencia implementando una o más de las siguientes medidas:

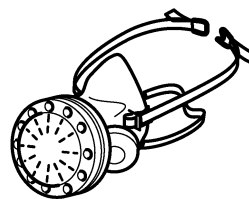
- Cambie la orientación o el lugar donde está ubicada la antena receptora.
- Aumente el espacio que separa al equipo del receptor.
- Conecte el equipo a una toma de corriente que esté en un circuito diferente al circuito al que está conectado el receptor.
- Consulte con el concesionario o con un técnico de radio y televisión con experiencia que pueda ayudarte.

3.5 Riesgos para la salud producidos por el polvo



ADVERTENCIA! algunos polvos creados por lijadoras motorizadas, aserraderos, trituradores, perforadoras y otras actividades de construcción contienen sustancias químicas que se sabe (en el Estado de California) causan cáncer, defectos de nacimiento u otros daños al sistema reproductivo. Algunos ejemplos de estas sustancias químicas son:

- Plomo de las pinturas con base de plomo
- Sílice cristalino de los ladrillos y cemento y otros productos de mampostería, y
- Arsénico y cromo de madera tratada con sustancias químicas



El riesgo de exposición a estas sustancias varía, dependiendo de cuantas veces se hace este tipo de trabajo.

Para reducir el contacto con estas sustancias químicas:

trabaje en un área con buena ventilación y trabaje con equipo de seguridad aprobado, como mascarillas para el polvo diseñadas específicamente para filtrar partículas microscópicas.



ADVERTENCIA

PARA REDUCIR EL RIESGO DE LESIÓN, EL USUARIO DEBE LEER EL MANUAL DE INSTRUCCIÓN.

4 Uso conforme a lo previsto

Taladro atornillador de batería apto

- para atornillar y apretar tornillos,
- para taladrar en metal, madera, plásticos y materiales similares.

No apto para la sujeción de otras herramientas como brocas y puntas de destornillador, p. ej., sierras de calar, varillas agitadoras, cerdas de metal.

Cargador MXC apto

- para cargar las baterías indicadas,
- solo para uso interno.



El usuario será responsable de cualquier utilización indebida; como tal se considera el funcionamiento industrial continuado.

5 Datos técnicos

Taladros atornilladores de batería	TXS
Tensión del motor	10,8 V
Número de revoluciones en vacío*	
1.ª velocidad	0 - 430 rpm
2.ª velocidad	0 - 1300 rpm
Par de giro máx. Atornillado blando/duro	10/16 Nm
Par de giro regulable	0,3 - 3,4 Nm
Margen de sujeción del portabrocas	1/16" - 3/8" 1 - 10 mm
Diámetro máx. de perforación Madera/metal	1/2" / 5/16" 12/8 mm
Alojamiento para herramienta en el husillo de taladrar	1/4"
Peso según el procedimiento EPTA 01:2014 (con batería y portabrocas)	2.4 lbs (1.1 kg)
Peso con batería + Centrotec	2 lbs (0.9 kg)

* Número de revoluciones con la batería totalmente cargada.



En la página se indican más datos técnicos del cargador y de la batería suministrados.

6 Descripción de las funciones

Las imágenes con la dotación de suministro se encuentran en una hoja desplegable al comienzo de este manual de instrucciones. Cuando lea este manual, le recomendamos que despliegue esta página para disponer fácilmente de una vista general de la máquina.

- [1-1]** Símbolo Taladrar
- [1-2]** Rueda de ajuste de par de giro
- [1-3]** Marca del par de giro/posición de taladrado
- [1-4]** Interruptor de velocidades
- [1-5]** Interruptor de giro derecha/izquierda
- [1-6]** Interruptor de conexión y desconexión
- [1-7]** Clip de cinturón

- [1-8]** Superficies de agarre con aislamiento (zona sombreada en gris)
- [1-9]** Tecla para aflojar la batería
- [1-10]** Lámpara LED con indicación de la capacidad
- [1-11]** Compartimento para puntas de destornillador

7 Puesta en servicio

7.1 Cambiar la batería [2]



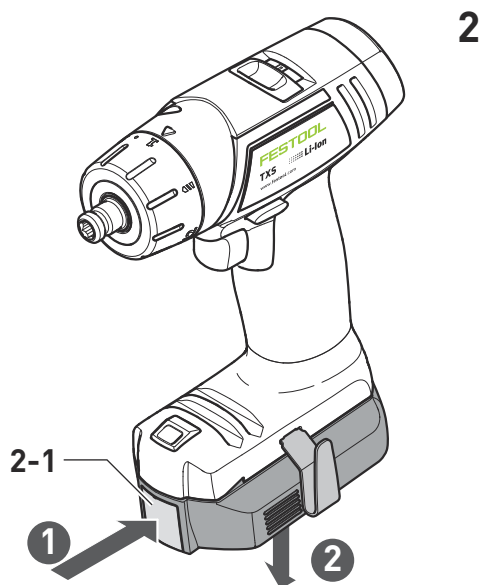
Tras la entrega, la batería está lista para el servicio inmediato y puede cargarse en cualquier momento.

Extraer la batería

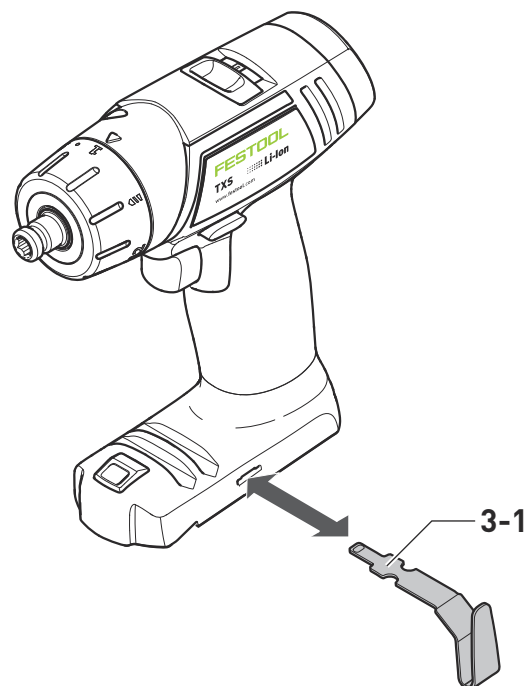
- Mantenga presionada la teclas **[2-1]**.
- Retire la batería empujando hacia adelante.

Insertar la batería

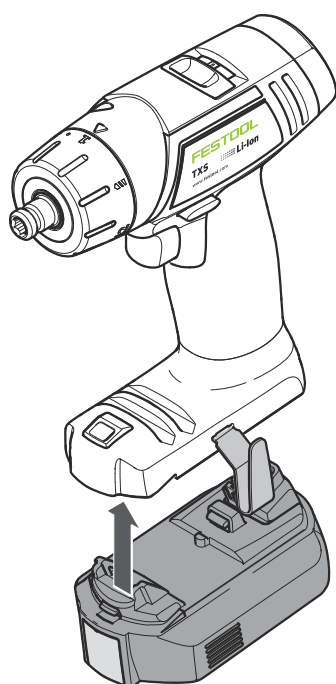
- Introduzca la batería hasta que quede encajada en el soporte, como se indica en la imagen **[2]**.



2



3



7.2 Cambiar el lateral del clip del cinturón







Fija el clip de cinturón [3-1] a lado derecha o izquierda, depende en que lado quiere cargar el taladro.

- ▶ Extraer la batería [2].
- ▶ Extraer el clip del cinturón [3-1].
- ▶ Insertar el clip de cinturón en el lado deseado.
- ▶ Insertar la batería [2].

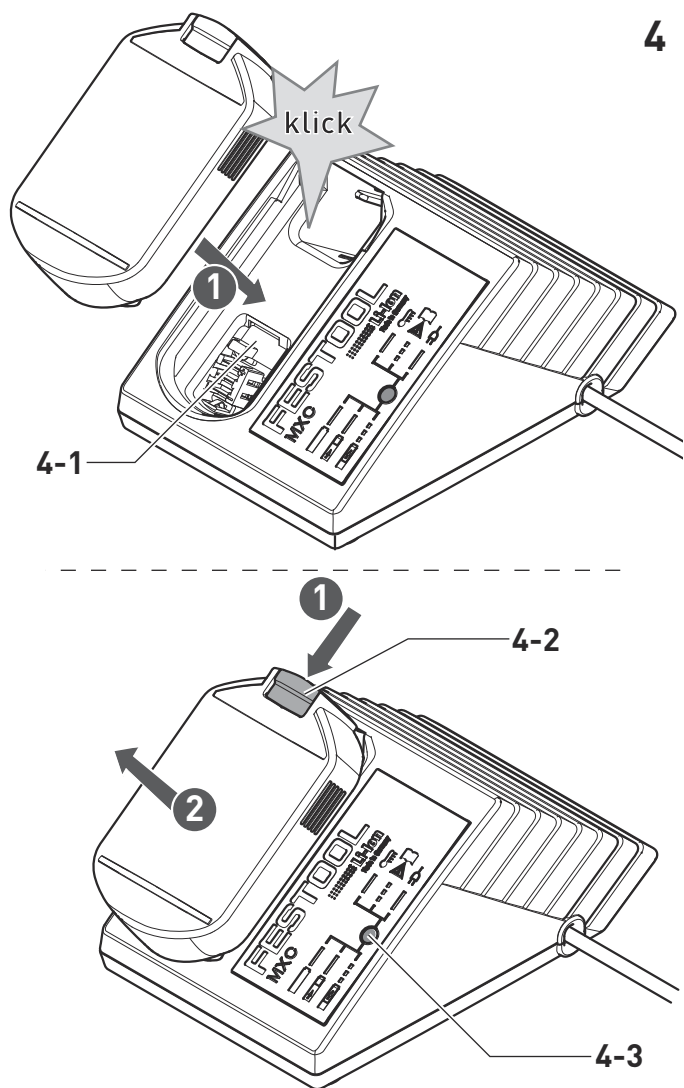
7.3 Cargar la batería [5]

- ▶ Para cargar la batería, introduzca la batería en el soporte [4-1] del cargador.
- ▶ Para sacar, mantenga presionada la teclas [4-2] y extraiga la batería en la dirección contraria.

El LED [4-3] del cargador indica su estado de funcionamiento actual.

- 
LED amarillo: luz permanente
 El cargador está listo para el servicio.
- 
LED verde: parpadeo rápido
 La batería se carga con la corriente máxima.
- 
LED verde: parpadeo lento
 La batería se ha cargado hasta un 80 % y se continúa cargando con corriente reducida.
- 
LED verde: luz permanente
 La batería está cargada.
- 
LED rojo: parpadeo
 Indicador de error general, p. ej., no existe contacto, cortocircuito, batería defectuosa, etc.
- 
LED rojo: luz permanente
 La temperatura de la batería se encuentra fuera del valor límite permitido (0 °C a 55 °C).

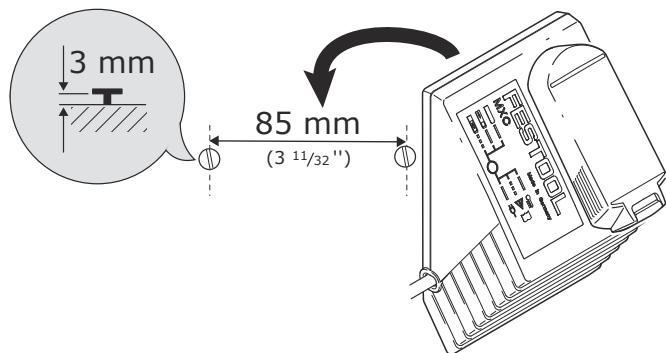
4



7.4 Fijación mural del cargador

La parte posterior del cargador MXC presenta dos orificios alargados. De esta forma, se puede colgar de la pared mediante dos tornillos (p. ej., tornillos semirredondos o de cabeza plana con un diámetro de vástago de 5 mm) (Véase la fig. [5]).

5



8 Ajustes

Tenga en cuenta las imágenes al principio del manual.



PRECAUCIÓN

Peligro de lesiones

- Ajustes solo con la herramienta eléctrica desenchufada

8.1 Invertir el sentido de giro [1-5]

- Interruptor hacia la izquierda = giro a la derecha
- Interruptor hacia la derecha = giro a la izquierda

8.2 Cambio de velocidad [1-4]

- Interruptor de velocidades hacia delante (número 1 visible) = 1.ª velocidad
- Interruptor de velocidades hacia atrás (número 2 visible) = 2.ª velocidad

8.3 Ajustar el par de giro

Ajuste el par de giro conveniente con la rueda de ajuste de par de giro [1-2]. La marca [1-3] indica el la posición del par de giro.

Taladrar

Ajuste el conmutador [1-2] de modo que la marca [1-3] señale el símbolo de taladrado [1-1]. En esta posición está ajustado el par de giro máximo.

Atornillar

Ajuste el par de giro conveniente con la rueda de ajuste de par de giro [1-2]:

Posición 1 = par de giro bajo

Posición 12 = par de giro alto

La máquina se desconecta al llegar al par de giro ajustado y emite una señal acústica que indica que se ha alcanzado el valor de desconexión. Para ponerla otra vez en marcha, deberá soltar y presionar de nuevo el interruptor de conexión y desconexión [1-6].

9 Alojamiento para herramienta, accesorios de prolongación



ADVERTENCIA

Peligro de lesiones

- Antes de realizar cualquier trabajo en la máquina, extraiga la batería.

**PRECAUCIÓN****Herramienta caliente y afilada****Peligro de lesiones**

- ▶ No utilizar herramientas desafiladas o defectuosas.
- ▶ Utilizar guantes de protección.

9.1 Mandril CENTROTEC WH-CE

El mandril CENTROTEC WH-CE facilita el cambio rápido de las herramientas con vástago CENTROTEC.



Fije la herramienta CENTROTEC sólo en el mandril CENTROTEC.

Insertar CENTROTEC

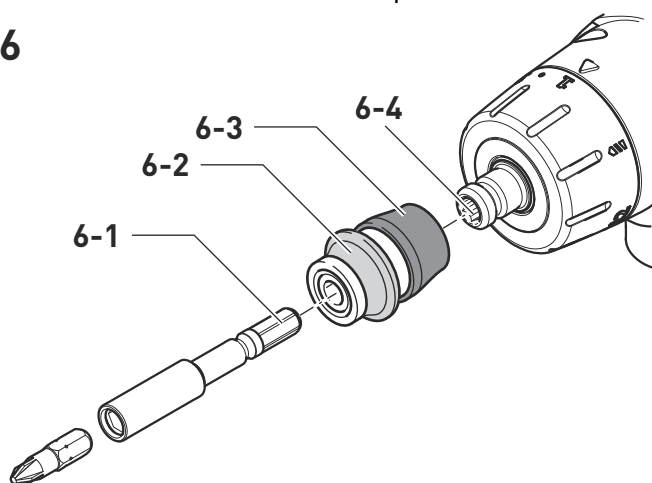
- ▶ Tire del anillo de desbloqueo [6-3] hacia adelante.
- ▶ Coloque el mandril hasta el tope en el husillo de taladrar [6-4].
- ▶ Suelte el anillo de desbloqueo [6-3].

Extraer CENTROTEC

- ▶ Tire del anillo de desbloqueo [6-3] hacia adelante.
- ▶ Extraiga el mandril.

Cambiar de herramienta

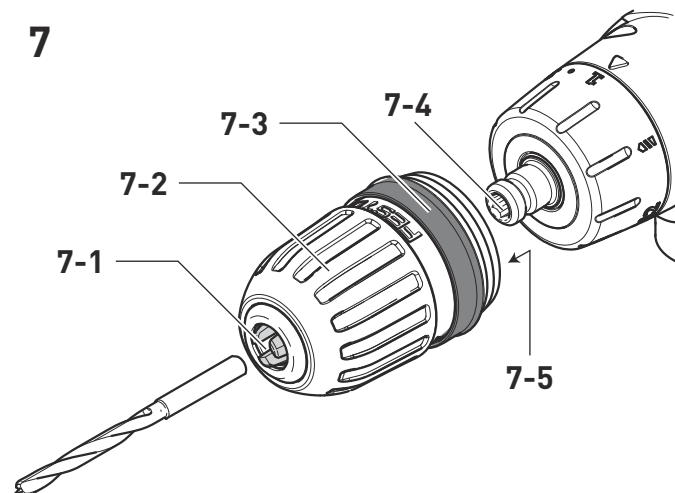
- ▶ Para insertar o extraer la herramienta con vástago CENTROTEC, retire el anillo de desbloqueo verde [6-2].
- ▶ Al insertar el vástago, gire la herramienta hasta que su vástago hexagonal [6-1] encaje en el alojamiento hexagonal del husillo de taladrar.
- ▶ Suelte el anillo de desbloqueo [6-2].

6**9.2 Portabrocas BF-FX 10**

El portabrocas BF-FX 10 sirve para fijar las brocas y las puntas de destornillador con un diámetro de vástago máximo de 10 mm.

Insertar portabrocas BF-FX 10

- ▶ Coloque el portabrocas en el husillo de taladrar [7-4].
- ▶ Tire del anillo de desbloqueo [7-3] hacia adelante.
- ▶ Gire el anillo hasta que la clavija hexagonal [7-5] del portabrocas encaje en el alojamiento hexagonal del husillo de taladrar.
- ▶ Presione el portabrocas hasta el tope del husillo de taladrar.
- ▶ Suelte el anillo de desbloqueo [7-3].

7**Extraer portabrocas BF-FX 10**

- ▶ Tire del anillo de desbloqueo [7-3] hacia adelante.
- ▶ Extraiga el portabrocas.

Cambiar de herramienta

- ▶ Gire el casquillo de fijación [7-2] en el sentido contrario a las agujas del reloj para abrir las mordazas de sujeción [7-1].



La flecha sobre el husillo indica la dirección de giro de apertura.

- ▶ Inserte la herramienta en el portabrocas.

**PRECAUCIÓN****Peligro de lesiones**

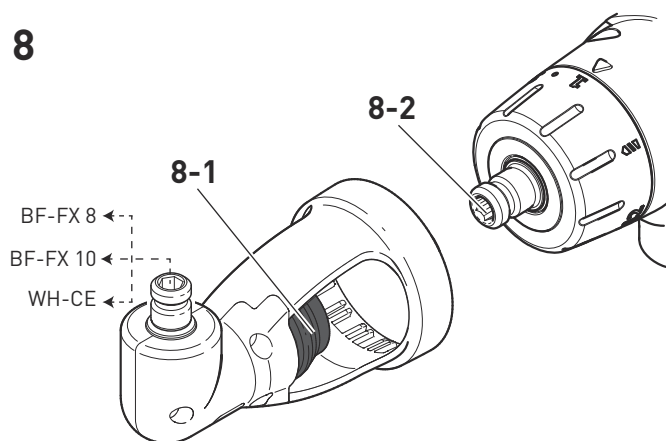
- ▶ Centre la herramienta en el portabrocas!

- ▶ Gire el casquillo de fijación [7-2] en el sentido de las agujas del reloj para sujetar la herramienta.

9.3 Ángulo adicional XS-AS

El ángulo adicional XS-AS (en parte como equipamiento adicional) permite taladrar y atornillar en ángulo recto con respecto a la máquina.

8



Insertar el ángulo adicional XS-AS

- Tire del anillo de desbloqueo verde **[8-1]** hacia adelante.
- Inserte el ángulo adicional en el husillo de taladrar **[8-2]**.
- Gírelo hasta que encaje en la posición deseada.



El ángulo adicional puede encajarse en 16 ajustes de ángulo distintos.

- Suelte el anillo de desbloqueo **[8-1]**.

Extraer el ángulo adicional XS-AS

- Tire del anillo de desbloqueo verde **[8-1]** hacia adelante.
- Extraiga el ángulo adicional.

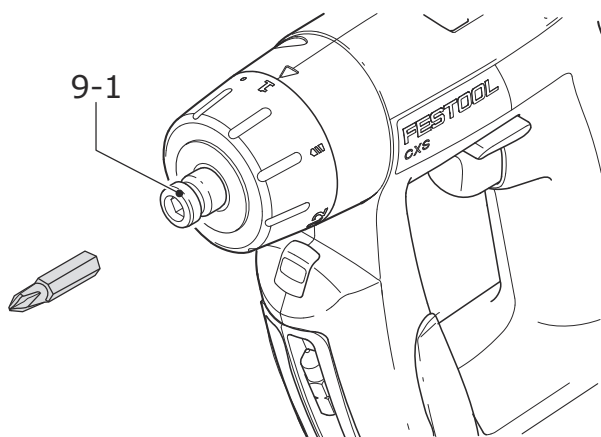
Cambiar de herramienta

Las herramientas se pueden insertar en el ángulo adicional con el mandril CENTROTEC, el portabrocas BF-FX 8, BF-FX 10 o directamente en el husillo de taladrar.

9.4 Alojamiento para herramienta en el husillo de taladrar

Para que la máquina sea más corta y ligera, se pueden insertar las puntas de destornillador directamente en el alojamiento hexagonal del husillo de taladrar **[9-1]**.

9



10 Trabajo con la herramienta eléctrica

Tenga en cuenta las imágenes al principio del manual.



ADVERTENCIA

Peligro de lesiones

- Fije la pieza de trabajo siempre de forma que no se pueda mover cuando se trabaje con ella.

10.1 Interruptor de conexión y desconexión [1-6]

Presionar = CONECTADO, soltar = DESCONECTADO

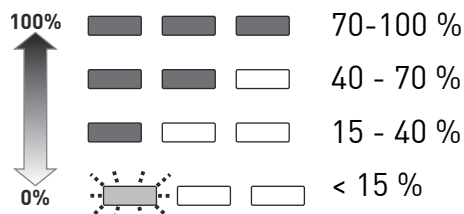


Según la presión en el interruptor de conexión y desconexión, el número de revoluciones se puede controlar de modo continuo.

10.2 Lámpara LED con indicación de la capacidad

La lámpara LED **[1-10]** se enciende al presionar el interruptor de conexión y desconexión **[1-6]**.

Al soltar el interruptor de conexión y desconexión **[1-6]** la indicación de la capacidad muestra durante unos segundos en la lámpara LED **[1-10]** el estado de carga de la batería:



Recomendación:

cargar la batería antes de una nueva utilización.

10.3 Depósito de puntas [1-11]

Magnético, para alojar puntas o adaptadores.

10.4 Señales de advertencia

La **herramienta eléctrica se desconecta, la indicación de la capacidad parpadea: la batería está vacía.**

- Cambiar la batería.

La **herramienta eléctrica se desconecta, la indicación de la capacidad no parpadea: la herramienta eléctrica se ha sobrecalentado o presenta sobrecarga.**

- Cargar menos la herramienta eléctrica.

- Dejar enfriar la herramienta eléctrica.

11 Mantenimiento y cuidado



ADVERTENCIA

Peligro de lesiones, electrocución

- Extraiga siempre la batería de la máquina antes de realizar cualquier trabajo de mantenimiento y conservación.



ADVERTENCIA

Cualquier trabajo de mantenimiento o reparación que requiera abrir el motor o la carcasa del engranaje deberá ser realizado únicamente por un Centro de Atención al Cliente (nombre proporcionado por su concesionario).

- Los trabajos de mantenimiento o reparación realizados por una persona no autorizada podrían provocar la conexión incorrecta de los conductores de alimentación u otros componentes, lo que a su vez podría provocar accidentes con consecuencias graves.



PRECAUCIÓN

Algunos productos de limpieza y disolventes resultan perjudiciales para las piezas de plástico.

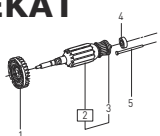
- Algunos de ellos incluyen, entre otros, gasolina, acetona, metiletilacetona (MEK) y oxidocloruro de carbono. Los productos de limpieza normalmente contienen cloro y amoníaco y los productos de limpieza del hogar contienen amoníaco.



FESTOOL

El Servicio de Atención al Cliente y de Reparaciones solo está disponible a través del fabricante o los talleres de reparación. Dirección más cercana en: www.festoolusa.com/service

EKAT



FESTOOL

Utilizar únicamente piezas de recambio Festool originales. Referencia en: www.festoolusa.com/service

Tener en cuenta las siguientes advertencias

- Mantener los orificios de ventilación de la herramienta eléctrica despejados y limpios para que la refrigeración esté garantizada.

- Mantenga siempre limpios los puntos de conexión de la herramienta eléctrica, el cargador y la batería.

Indicaciones sobre baterías

- Almacenar en un lugar seco y fresco a una temperatura de entre 5 °C y 25 °C.
- Proteger las baterías de la humedad y del agua, así como del calor.
- No mantenga las baterías vacías más de aprox. un mes conectadas al cargador, cuando el cargador esté desconectado de la red. Peligro de descarga total.
- Si tiene previsto guardar baterías Li-Ion durante un periodo prolongado sin usarlas, cárguelas al 40 % de su capacidad (cargar durante aprox. 15 min).
- Para evitar cortocircuitos, la batería debe guardarse en el embalaje suministrado.

Comprobar que todas las advertencias de la herramienta eléctrica sean legibles y estén completas. Reemplazar las advertencias que falten o que no sean legibles.

12 Accesorios

Utilice únicamente los accesorios Festool originales y el material de consumo Festool diseñados para esta máquina, puesto que los componentes de este sistema están óptimamente adaptados entre sí. La utilización de accesorios y material de consumo de otros fabricantes puede afectar a la calidad de los resultados de trabajo y conllevar una limitación de los derechos de la garantía. El desgaste de la máquina o de su carga personal puede variar en función de la aplicación. Utilice únicamente accesorios originales y material de consumo de Festool para su propia protección y la de la máquina, así como de los derechos de la garantía.

Los números de pedido para los respectivos accesorios y herramientas se encuentran en su catálogo Festool o en la dirección de Internet "www.festoolusa.com".

12.1 SYSTAINER

Systainer

Muchos de los productos Festool se entregan en un embalaje exclusivo denominado "Systainer" que sirve de protección a la herramienta y sus complementos, además de facilitar su almacenamiento. Los Systainer pueden apilarse y encajan unos con otros. Además se adaptan sin problema a cualquier aparato de aspiración CT de Festool.

Para abrir el Systainer



Gire el T-loc **[SYS-b-1]** a esta posición.

Para cerrar el Systainer



Gire el T-loc **[SYS-b-1]** a esta posición.

Para encajar dos Systainer

Ponga el Systainer sobre un otro **[SYS-a]**.

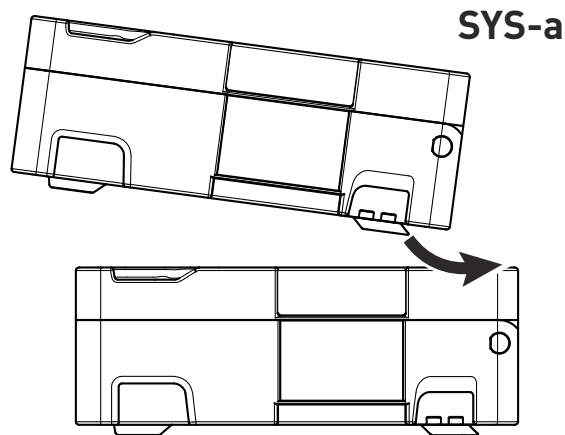


Gire el T-loc **[SYS-b-1]** a una de estas posiciones (Fig. **[SYS-b]**).

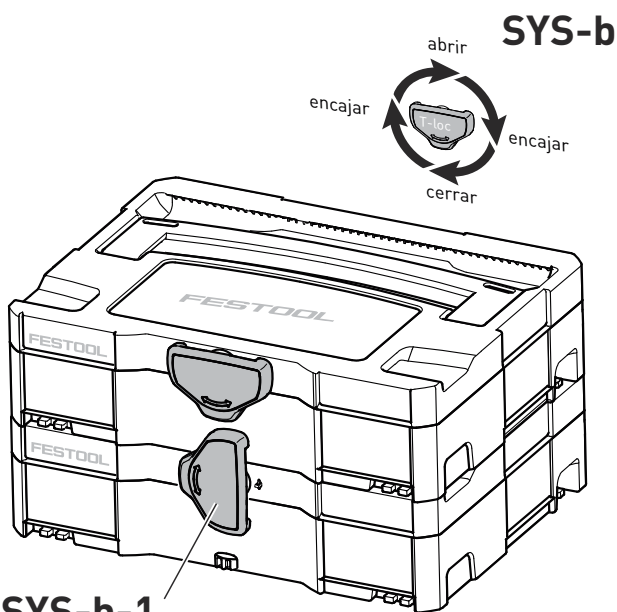
Los Systainers están encajados y cerrados.



Un Systainer de la nueva generación es encajable encima de un Systainer de la generación anterior con los cuatro enganches del Systainer anterior.



SYS-a



SYS-b

SYS-b-1

13 Medio ambiente

No deseche la herramienta junto con los residuos domésticos. Recicle las herramientas, accesorios y embalajes de forma respetuosa con

el medio ambiente. Respete la normativa vigente del país.

Reciclaje de baterías



ADVERTENCIA

Riesgo de fuego o daños

- ▶ No intente desarmar la batería ni quitar ninguno de los componentes que sobresalen de las terminales de la batería.
- ▶ Antes de tirarla, proteja las terminales que están al descubierto con cinta adhesiva aislante gruesa para prevenir cortocircuitos.



El sello RBRC™ (Corporación de Reciclaje de Baterías Recargables)

de níquel-cadmio (NiCd), níquel-hidruro metálico (NiMH) o iones de litio (Lilon) en baterías (o acumuladores) indica que Festool está participando voluntariamente en un programa de la industria para recoger y reciclar estas baterías al final de su vida útil, cuando se retiran de servicio en los Estados Unidos y Canadá.

En algunas zonas, es ilegal tirar las baterías en la basura o la corriente de residuos sólidos municipales y del programa RBRC ofrece una alternativa medioambiental conveniente.

Por favor, llame al 1-800-822-8837 para obtener información sobre las prohibiciones/restricciones sobre el reciclaje y la eliminación de baterías en su lugar, o devuelva las baterías al Centro de Servicio Festool para reciclarlas. Ayude a proteger nuestro medio ambiente y conservar los recursos naturales!

14 Transporte

Las baterías de iones de litio incluidas están sujetas a las disposiciones de la legislación sobre mercancías peligrosas. El usuario debe informarse sobre las regulaciones locales antes del transporte. Para el transporte mediante servicios de terceros (p. ej., transporte aéreo o empresa de transportes) hay que respetar unos requisitos específicos. Debe consultarse a un experto en mercancías peligrosas para la preparación del envío. Enviar la batería solo si no está dañada. Al enviarla se deben respetar las regulaciones locales. Ténganse en cuenta el resto de regulaciones nacionales.